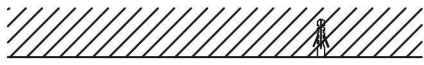
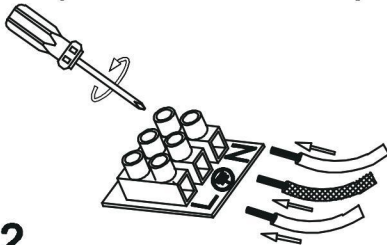
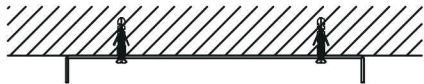


LUCIDE

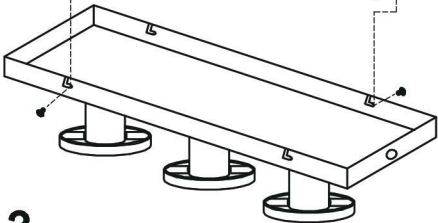
INSTALLATION DRAWING SPECIFICATIONS



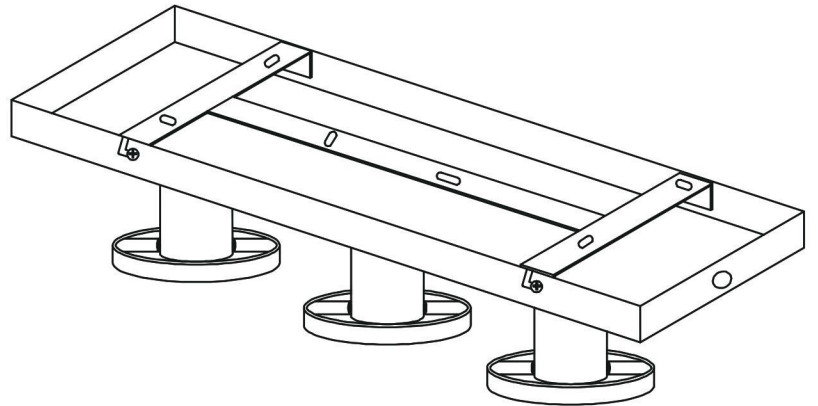
1



2



3



4

