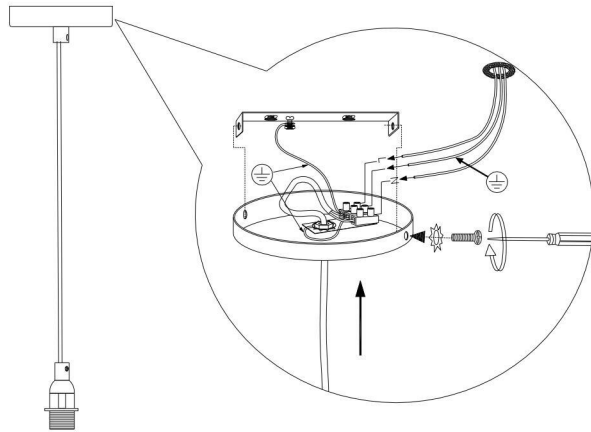
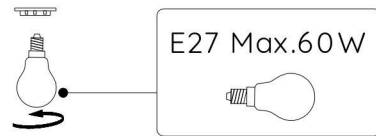
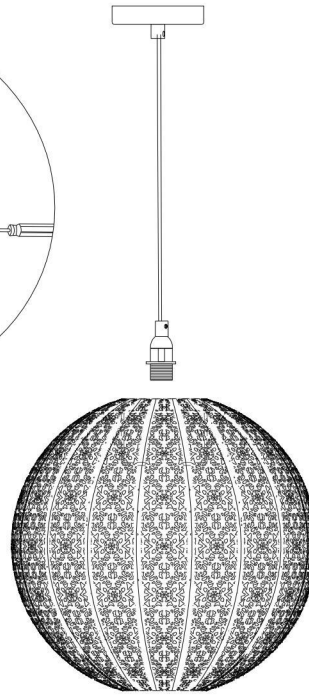


LUCIDE

INSTALLATION DRAWING SPECIFICATION



1



2

