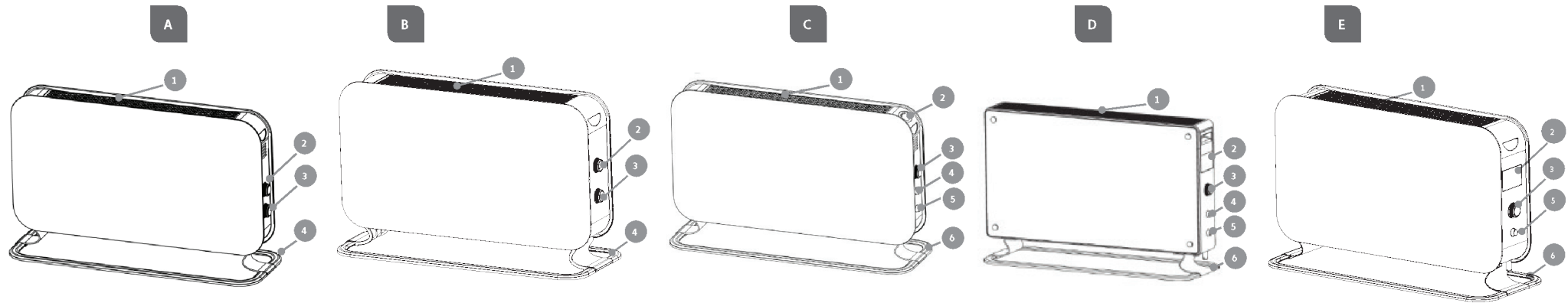




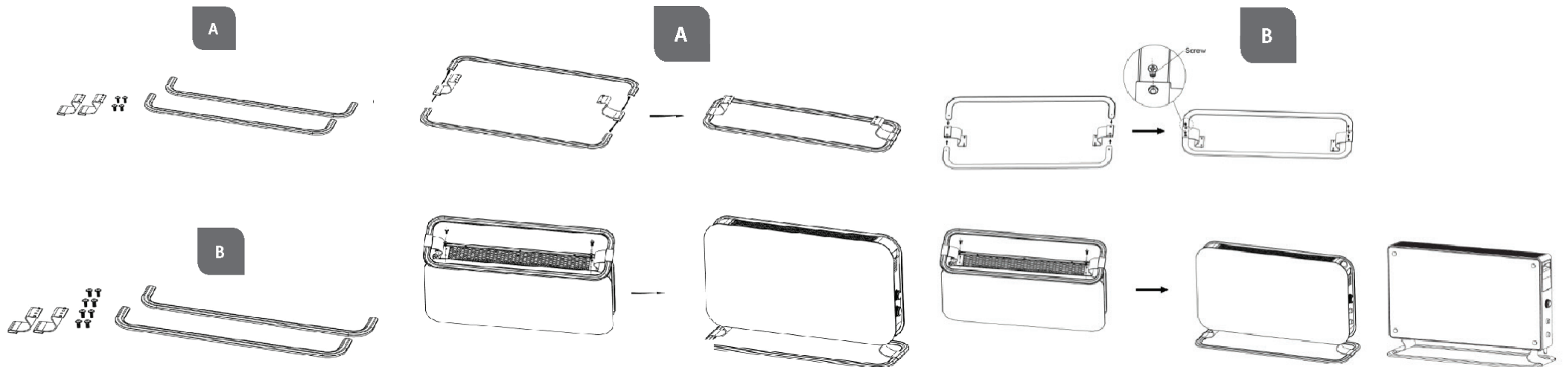
Mill Instant convection heater illustrations

1. DESCRIPTION OF THE HEATER



2. PARTS

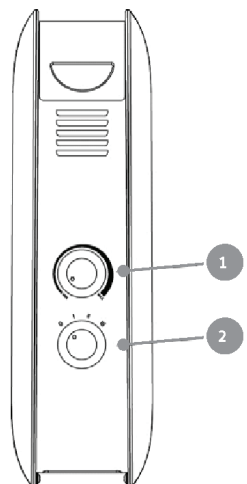
3. ASSEMBLY



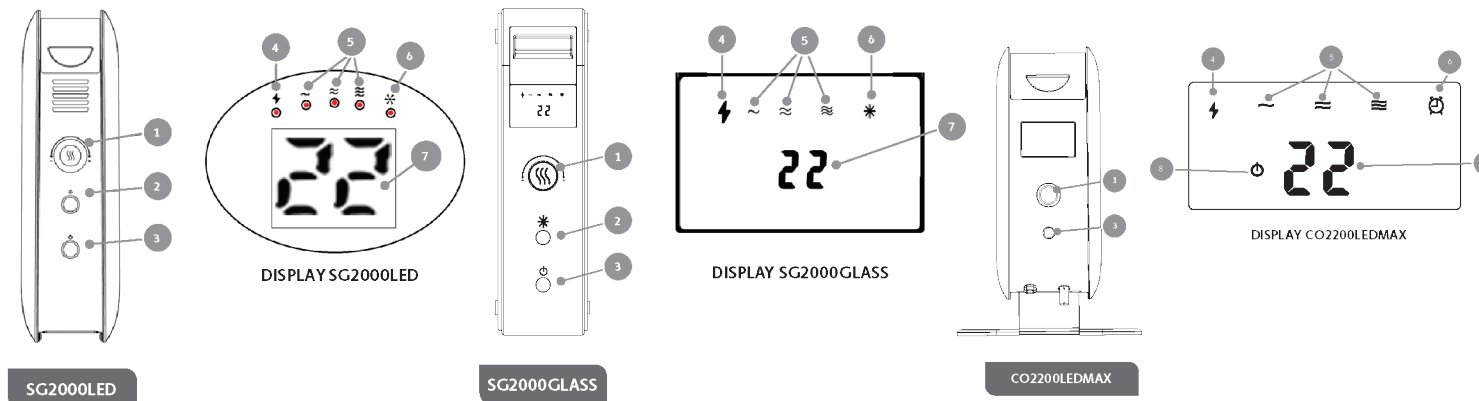


Mill Instant convection heater illustrations

4. CONTROL PANEL MECHANICAL THERMOSTAT



5. CONTROL PANEL ELECTRONIC THERMOSTAT



6. TEMPERATURE CALIBRATION



7. RESETTING THE HEATER

