

BRUKSANVISNING INSTRUCTION MANUAL

Namron GAN USB A+C Hurtiglader 65W

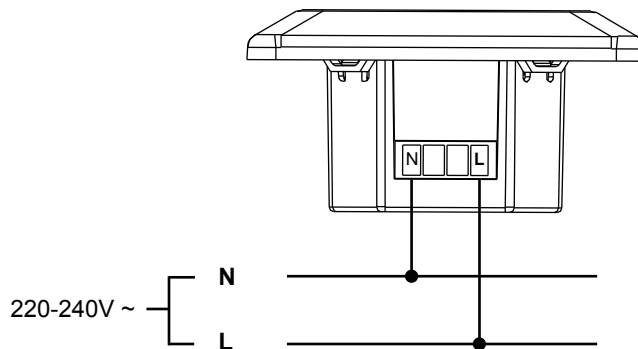
namron

220-240V~ 50/60HZ



Driftsspenning:	200-240V~50/60Hz	Operating voltage:	200-240V~50/60Hz
Input:	1A maks. 200-240V~50/60Hz	Input:	1A max. 200-240V~50/60Hz
Output:		Output:	
Type A port:	5,0V/DC 3,0A maks 15,0W 9,0V/DC 3,0A maks 27,0W 12,0V/DC 3,0A maks 36,0W 20,0V/DC 3,25A maks 65,0W	Type A port:	5.0V/DC 3.0A max15.0W 9.0V/DC 3.0A max27.0W 12.0V/DC 3.0A max 36.0W 20.0V/DC 3.25A max 65.0W
Type C port:	5,0V/DC 3,0A maks 15,0W 9,0V/DC 3,0A maks 27,0W 12,0V/DC 3,0A maks 36,0W 15,0V/DC 3,0A maks 45,0W 20,0V/DC 3,25A maks 65,0W	Type C port:	5.0V/DC 3.0A max 15.0W 9.0V/DC 3.0A max 27.0W 12.0V/DC 3.0A max 36.0W 15.0V/DC 3.0A max45.0W 20.0V/DC 3.25A max 65.0W
Type A+C sammen:	Type A 5,0V/DC 2,4A maks 12,0W Type C 20,0V/DC 2,25A maks 45,0W	Type A+C together:	Type A 5.0V/DC 2.4A max 12.0W Type C 20.0V/DC 2.25A max 45.0W
Hurtiglading:	GAN for både type A og C	Quick charge:	GAN for both type A and C
Gjennomsnittlig aktiv effektivitet:	91 %	Average active efficiency:	91 %
Effektivitet ved lav belastning(10%):	81 %	Efficiency at low load(10%):	81 %
Avslått:	0,19W	No-load power consumption:	0.19W

KOBLING / WIRING



MÅL / MEASURES

