

BRUKSANVISNING
INSTRUCTION MANUAL

namron

**Namron Driver dimbar til LED panel
700-1000mA**

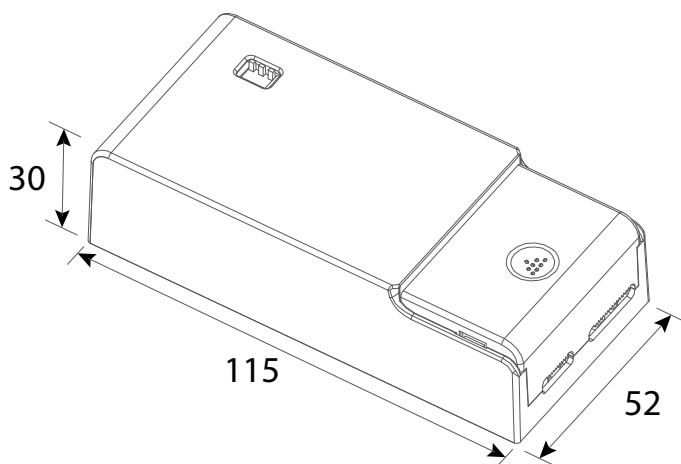
30V-40V IP20

SELV   

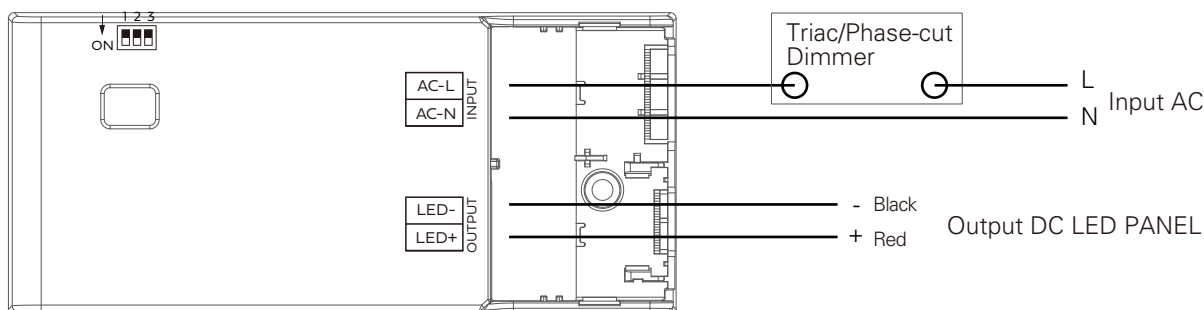
Input spenning driver : 220-240V~ 50/60Hz
Output spenning driver: 30-40V 700-900mA
30-38V 1000mA
Total effekt: Max 38W
Dimbar: Ja
Ta/Tc: 40°C/90°C
Isolasjonklasse: II
Tetthetsgrad: IP20
Overbelastningssikring. Overtemperaturbeskyttelse.
Kortslutningssikring

Input voltage of driver: 220-240V~ 50/60Hz
Output voltage of driver: 30-40V 700-900mA
30-38V 1000mA
Total power: Max 38W
Dimmable: Yes
Ta/Tc: 40°C/90°C
Isolation class: II
IP rating: IP20
Over load protection. Over temperature protection.
Short-circuit protection

MÅL / MEASURES



KOBLING / WIRING



NO: Skru av strømmen før montering
EN: Turn off power before installing

Output Current and setting table

Pout	Vo DC	Io DC	1	2	3
26.6W		700mA	—	—	—
30.4W	30-40V	800mA	ON	—	—
34.2W		900mA	—	ON	—
38W	30-38V	1000mA	ON	ON	—