

6603266 DRIVER DATASHEET



PRODUCT DESCRIPTION

- DALI-2, 1-10V, 10V PWM and Resistance.
 - DALI member, compatible with universal DALI application controllers(also called masters, DALI USB)
 - IEC 62386 Part 101,102(DALI-2), 207 qualified and tested in DALI house
 - Reliable, Class II, SELV according EN 61347
 - ENEC, CE approved by TUV SUD
 - $\pm 5\%$ output current accuracy(under maximum load)
 - Independent ECG and with push-fit strain-relief.
 - Permissible AC cable $0.5-1.5\text{mm}^2$ wire gauge, $3.5\sim 8\text{mm}$ PVC jacket diameter
 - Flicker Free(less than 3% flicker percentage)
 - Built-in active PFC and passive NTC
 - Protection for output open load, short circuits, over voltage and over temperature
- Namron AS Nedre Kalbakkvei 88, 1081 Oslo NORWAY- post@namron.com

- Built-in with permanent memory for DALI, 100,000 times memory
- Grow wire tested 650° for 30S and 850° for 5S
- 90° C Maximum case operation temperature(tc-point ¹)
- Operating temperature ¹: -20° C ~ +45° C, the humidity: 20% ~ 85%
- Over 60,000 hrs nominal lifespan at tc=60° C
- Five-year factory guarantee and lifetime technical support ¹
- “1” Detailed data please refer to the " PARAMETERS" table .

PARAMETERS

MODEL		6603266 DRIVER DATASHEET
Output	Output voltage	14-42V
	Rated current	650-1100mA
	Maximum power	46.2W
	Current tolerance	±5%
	Dimming Range	DALI, 0-10V,10VPWM,Resistance:5%-100%
	Ripple voltage ²	180mVp-p
	Ripple current	220mA _{p-p}
	Line regulation	±1%
	Load regulation	±3%
	Flicker percentage ³	<3%
	Starting time	<500mS
	Turn off time	<2.0S
	Noise ⁴	<22dB
Input	Voltage	220-240V
	Frequency	Rated:50-60Hz, 0Hz; Range:47-63Hz, 0Hz
	Power factor	≥0.9
	I-THD ⁵	≤15%
	Efficiency ⁶	≥86%
	AC current	300mA max.
	Inrush current ⁷	35A
	Inrush current time	50μs
	Leakage current	<1mA
	ON/OFF switches cycle	>100,000
Standby power	<0.5W	
DALI & PUSH Control	Dimming control mode	DALI-2, 0-10V,10V PWM or Resistance dimming
	Dimming control type	DALI-2, 0-10V,10V PWM or Resistance dimming
	DALI Input Voltage	Rated:16V; Range:9.5-22.5V;
	DALI Input (Bus) Current	Rated:1.6mA; Range:1.5-1.7mA;
	Dimming Range	DALI-2: 2%-100%;
DALI Standard	IEC 62386-101: 2014, IEC 62386-102: 2014, IEC 62386-207: 2009, IEC 62386-209: 2009	
Protection	Over current	Constant current limiting, recovers automatically after fault condition is removed

	Over voltage	Shut down output voltage, with auto-recovery or re-power on to recovery		
	Over temperature	Shut down output voltage, recovers automatically after temperature goes down		
	Short circuit	Constant current limiting, recovers automatically after fault condition is removed		
Safety & EMC	Safety standards	EN61347-2-13; Design refer to TUV EN60950-1, TUV EN61347-1		
	Withstand voltage	I/P-O/P:3KVac I/P-FG:1.5KVac O/P-FG: 500Vdc		
	Isolation resistance	I/P-O/P, I/P-FG, O/P-FG:100M Ohms/500Vdc/25°C/75%RH		
	EMC emission ⁸	EN55015B, EN55022 Class B, EN61000-3-2, EN61000-3-3		
	EMC immunity	EN61000-4-2, EN61547, EN55024, EN-61000-4-5 Surge immunity Line-Earth: 2KV, L Line- N Line:1KV;		
Environment	Ambient temperature range ⁹	-20°C ~ +45°C		
	Max. case temperature(tc) ¹⁰	90°C		
	Relative humidity range	20% ~ 85%RH		
	Storage temperature range	-40°C ~ +80°C		
	MCB TYPE B	10A	18pcs @ full load	
		16A	28pcs @ full load	
		20A	42pcs @ full load	
	MCB TYPE C	10A	21pcs @ full load	
		16A	34pcs @ full load	
20A		45pcs @ full load		
Others	Dimming control mode	DALI-2, 0-10V,10V PWM or Resistance dimming		
	Memory function	DALI with memory function		
	DALI Standard	IEC 62386-101: 2014, IEC 62386-102: 2014, IEC 62386-207: 2009, DALI-2		
	Lifetime(hrs)@tc=70°C	>60,000H		
	MTBF [MIL-HDBK-217F(ta=25°C)]	502.8K Hrs min		
	Glow wire test	850°C for 5S; 650°C for 30S		
	Dimension L x W x H	125 x 76 x 30mm		
	Warranty years	5 years		

"2" Ripple voltage is measured at 20MHz of bandwidth by using a 12" twisted pair-wire terminated with a 100nF & 47uF parallel capacitor.

"3" The flicker for frequencies of 200 Hz or below, input voltage 230Vac , at 100% output current level and 20% output current level with dimmer attached, output current ripple is defined as $[(I_{max} - I_{min}) / (I_{max} + I_{min})] * 100\%$, (CEC-400-2016-018-FS, Title 24 part 6 JA8).

"4" The noise of LED driver is defined as test data when driver tested in noise room with 50~60dB environment, and been hang in 1ft (305mm) inside chamber.

"5" Rated voltage input, rated output current, maximum output current.

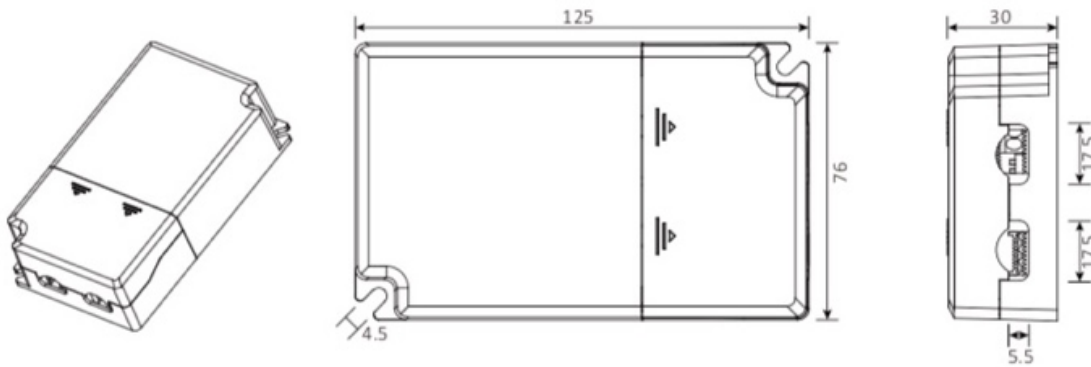
"6" The typical efficiency is test data of output current at input @230Vac with 36V output voltage, maximum output current.

"7" The inrush current is test data of 230Vac input, cold start, measured at input current peak.

"8" The driver is considered as a component that will be operated in combination with final equipment. Since EMC performance will be affected by the complete installation, the final equipment manufacturers must re-qualify EMC directive on the complete installation again.

"9" For other than independent use, higher ta of the control gear possible as long as highest allowed tc point temperature is not exceeded.

“10” The tc is defined as the highest permissible temperature which may occur on the outer surface of the power under normal operating conditions and at the rated voltage/current/power or the maximum of the rated voltage/current/power range, refer to “output power vs temperature” section.



Dimension	Gross Weight	Net Weight	Qty/Carton
0.455 x 0.40 x 0.18m	11.5kg	9.5kg	50pcs