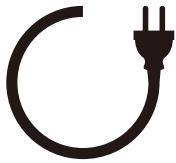


# NAMRON DRIVER TIL LED PANEL DALI

14V-42V IP20

SELV   

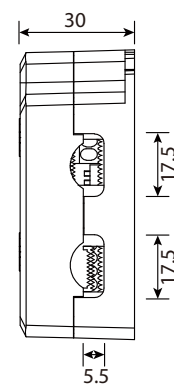
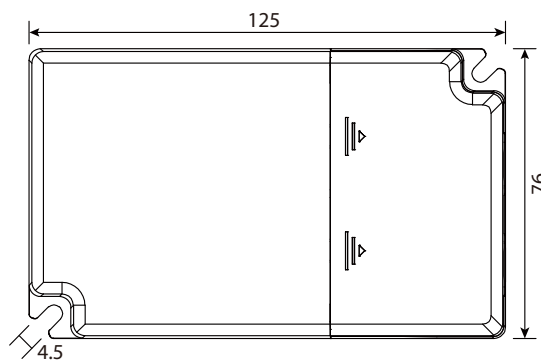
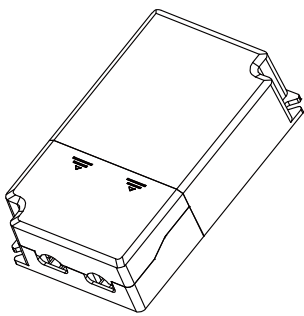


Input spenning driver : 220-240V~ 50/60Hz  
 Output spenning driver: 14-42V Max 1100mA  
 Total effekt: Max 53W  
 Dimbar: Ja  
 Dimming: DALI 2, 0-10V  
 Ta/Tc: 45°C/90°C  
 Isolasjonklasse: II  
 IP-grad: IP20  
 Overbelastningssikring. Overtemperaturbeskyttelse.  
 Kortslutningssikring

Input voltage of driver: 220-240V~ 50/60Hz  
 Output voltage of driver: 14-42V Max 1100mA  
 Total power: Max 53W  
 Dimmable: Yes  
 Dimming: DALI 2, 0-10V  
 Ta/Tc: 45°C/90°C  
 Insulation class: II  
 IP: IP20  
 Over load protection. Over temperature protection.  
 Short-circuit protection

## MÅL / MEASURES

(mm)



## KOBLING / WIRING

### DALI

