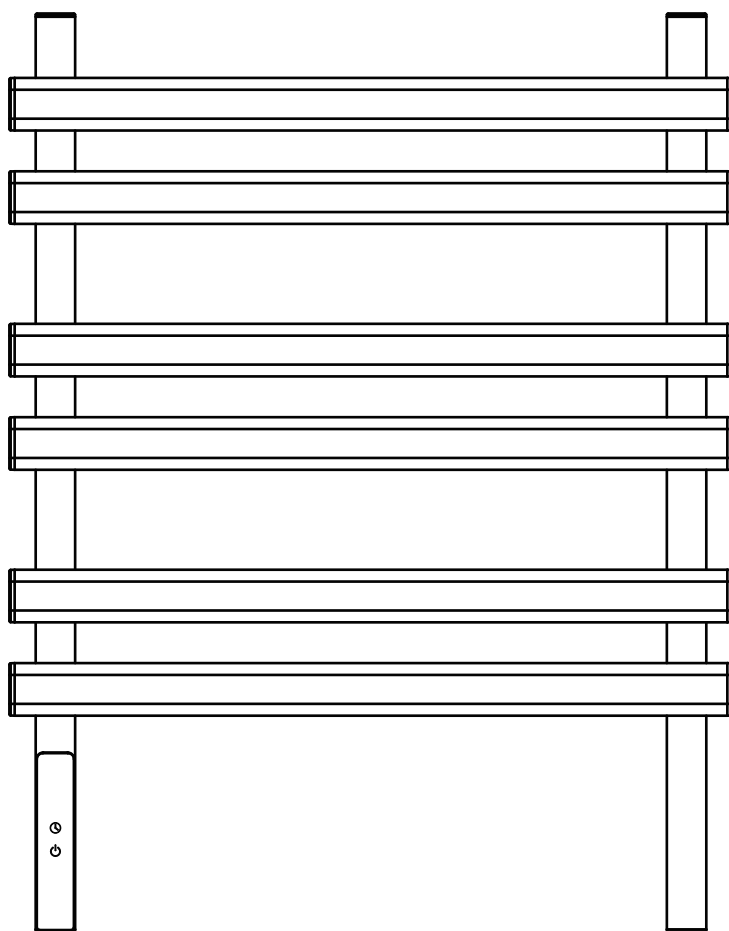


**BRUKSANVISNING
INSTRUCTION MANUAL**

NAMRON HÅNDKLETØRKER 200W



NAMRON HÅNDKLETØRKER 200W

namron

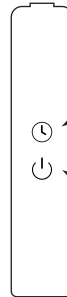
220-240V~ 50Hz IP24

IP24   

Effekt: 200W
Driftsspenning: 220-240V~50Hz
IP-klasse: IP24
Inkludert: 1,5 m kabel og støpsel.

Effect: 200W
Operating voltage: 220-240V~50Hz
IP Rating: IP24
Included 1.5 m cable and plug.

KONTROLLPANEL / CONTROL PANEL



Still inn timer / Hold nede i 3 sekunder for å stille inn temperaturen
Set the timer / Press and hold 3s to set the temperature


Slå på enheten / Gå i hvilemodus
Turn the appliance on / Enter standby mode


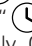
BRUKSANVISNING / OPERATION

Når enheten slås på for første gang, vil den gå i hvilemodus.
Standard innstilt temperatur er 30°C ved oppstart.


The appliance is powered on for the first time, it will enter the standby state.
The default setting temperature is 30°C when powered on.


STILLE INN TIMER / SET THE TIMER

Når produktet er i hvilemodus, trykk kort på  knappen for å endre tidsinnstillingen. Tidsinnstillingen endres 1h→2h→3h.....9h→0h→1h i syklus.
0h indikerer at timer ikke er aktivert. Ved 5 sekunders inaktivitet, går enheten automatisk tilbake til temperaturvisning.

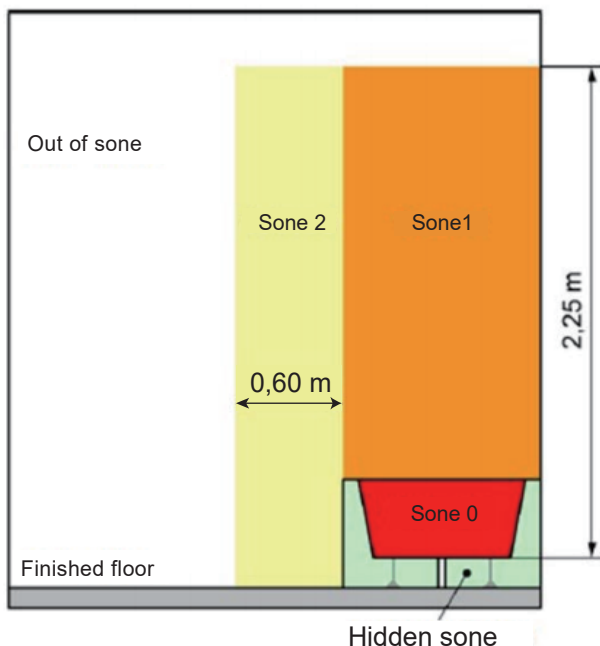
In the standby mode, short press the "" button to start the time setting to turn off the product. Press the "" button to switch the timing from 1h→2h→3h.....9h→0h→1h cyclically. 0h indicates that the timing is not set. If there is no operation for 5 seconds, the appliance will automatically return to the display interface of the setting temperature.

STILLE INN TEMPERATUR / SET THE TEMPERATURE

Når produktet er i hvilemodus, trykk på  i minimum 3 sekunder for å stille inn temperatur. Temperaturen kan stilles mellom 10-30 grader.
Ved 5 sekunders inaktivitet, går enheten automatisk tilbake til temperaturvisning

In the standby mode, press and hold the "" icon for 3 seconds to set the heating temperature, the set temperature can be adjusted between 10-30°C(Default temperature is 30°C) , 1°C each step.
If there is no operation for 5 seconds, the appliance will automatically return to the display interface of the setting temperature.

INSTALLASJONSINSTRUKSJONER / INSTALLATION INSTRUCTIONS



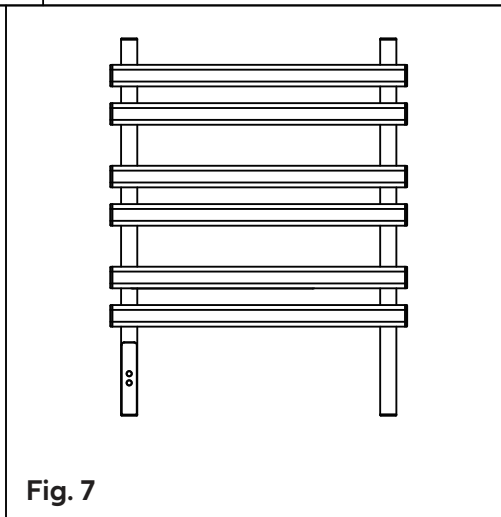
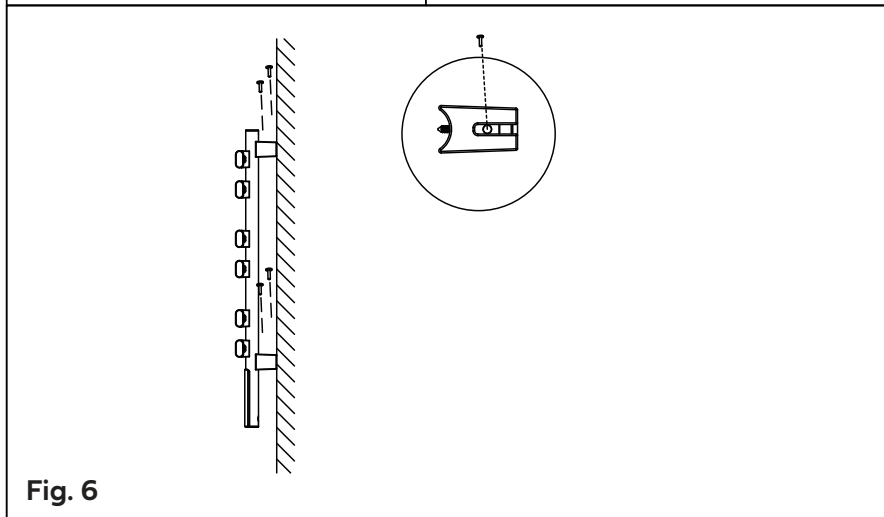
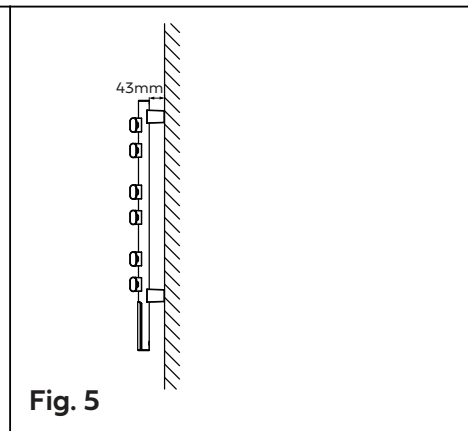
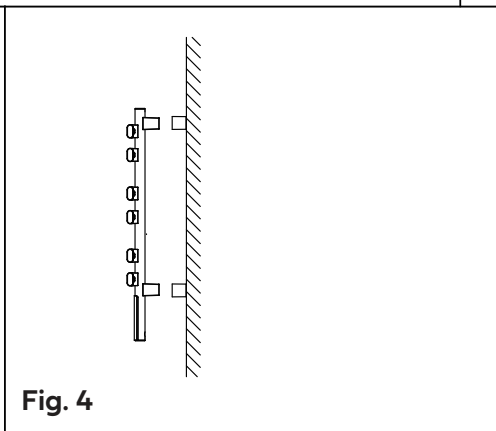
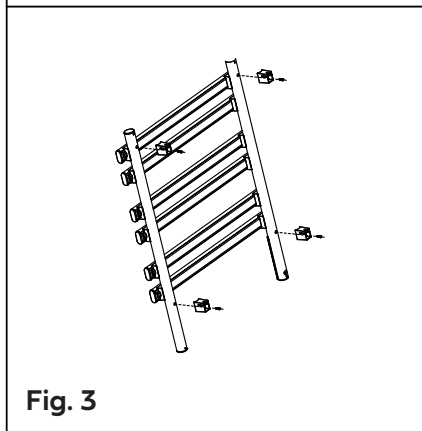
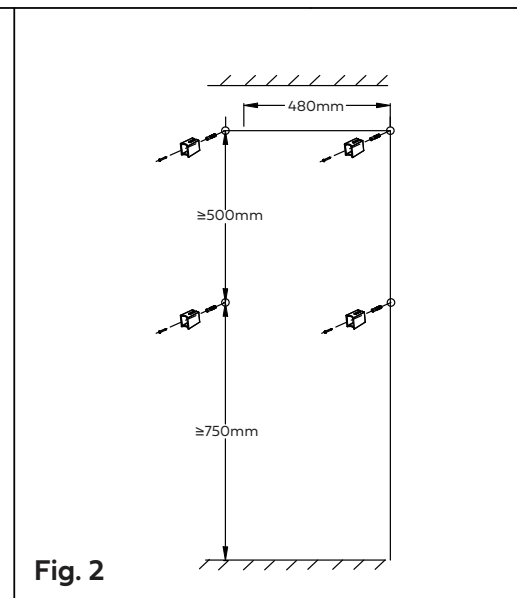
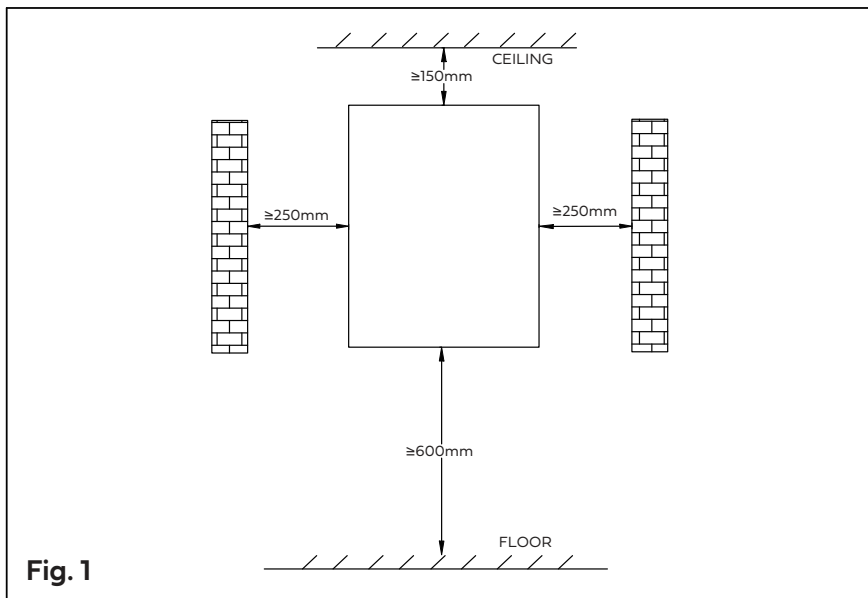
Produktet kan monteres i sone 2
The product can be installed in zone 2

1) Hvordan montere varmeapparatet på veggen

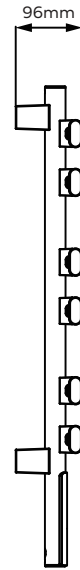
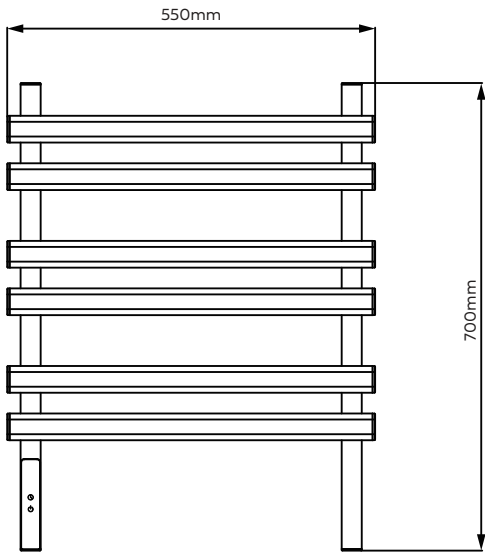
1. Velg en passende plassering for å installere varmeapparatet. Overhold minimum sikkerhetsavstand. (Fig. 1)
2. Bor hull i henhold til dimensjonene vist i installasjonsdiagrammet, plasser gummipartiklene og fest veggørerne til en sterk og flat vegg. (Fig. 2)
3. Fest de veggmonterte brakettene til apparatet. (Fig. 3)
4. Plasser apparatet foran veggen og fest produktbrakettene til veggørerne. (Fig. 4 & Fig. 5)
5. Bruk deretter skruene for å feste brakettene. (Fig. 6)
6. Fullfør installasjonen. (Fig. 7)

1) How to mount the heater onto the wall

1. Choose a suitable location to install the heater. Observe the minimum safety distance. (Fig 1)
2. Drill holes according to the dimensions shown in the installation diagram, place the rubber particles and fix the wall tubes to a strong and flat wall. (Fig 2)
3. Fix the wall-mounted brackets to the appliance. (Fig 3)
4. Place the appliance in front of the wall and insert the product brackets to the wall tubes. (Fig 4&Fig 5)
5. Then use the screws to secure the brackets. (Fig 6)
6. Complete the installation.(Fig 7)



VEDLIKEHOLD / MEASURES



Model identifier(s): 5419662					
Item	Symbol	Value	Unit	Item	Value
Heat output				Type of heat output/room temperature control (select one)	
Nominal heat output	P_{nom}	0.200	kW	Single stage heat output and no room temperature control	[No]
Minimum heat output (indicative)	P_{min}	N/A	kW	Two or more manual stages, no room temperature control	[No]
Maximum continuous heat output	$P_{max,c}$	0.200	kW	With mechanic thermostat room temperature control	[No]
Power consumption				With electronic room temperature control	[Yes]
In off mode	P_o	0.15	W	Electronic room temperature control plus day timer	[No]
In standby mode	P_{sm}	0.00	W	Electronic room temperature control plus week timer	[No]
In idle mode	P_{idle}	0.19	W	Other control options (multiple selections possible)	
In network standby	P_{nsm}	0.00	W	Room temperature control, with presence detection	[No]
Standby mode with display of information or status		No		Room temperature control, with open window detection	[No]
Seasonal space heating energy efficiency in active mode	$\eta_{S,on}$	80.0	%	Distance control option	[No]
				Adaptive start control	[No]
				Working time limitation	[Yes]
				Black bulb sensor	[No]
				Self-learning functionality	[No]
				Control accuracy	[No]
Contact details	Namron AS Nedre kalbakkvei 88 1081 Oslo Norway post@namron.com				