

BRUKSANVISNING INSTRUCTION MANUAL GULVOVN 2000W

J&EL

2000W 220-240V~ 50/60Hz

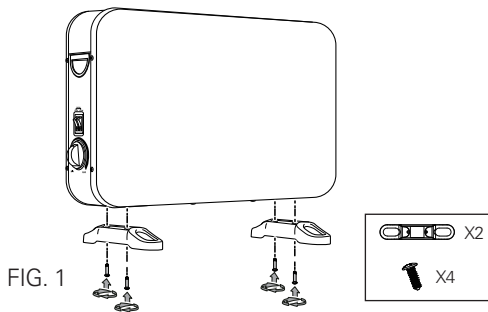


Konvektorovn i unikt design.
Mekanisk termostat for enkel betjening.
Med overopphetingsbeskyttelse og veltesikring.
For frittstående bruk. Kun til innendørs bruk.

Convecter in unique design.
Mechanical thermostat for simple operation.
With over-heat protection and tip-over switch.
For stand use. For indoor use.

Effekt: 750W/1250W/2000W
Spennning: 220-240V~ 50/60Hz
Inkludert 1,7 meter kabel

Power: 750W/1250W/2000W
Voltage: 220-240V~ 50/60Hz
Include 1.7m power cord.



MONTERING AV OVNEN / ASSEMBLY OF THE HEATER FIG. 1

Monter føttene før du tar i bruk ovnen.

Mount the feet before positioning the device.

1. Legg ovnen på siden.
2. Fest hver fot med to skruer.

1. Place the device on its side.
2. Fasten each foot with two screws.

BRUKSANVISNING / OPERATING INSTRUCTION FIG. 2

Effektbryter

Power switch

0 - Av

0 - Off

750W - Lav varme

750W - Low Heat

1250W - Medium varme

1250W - Medium Heat

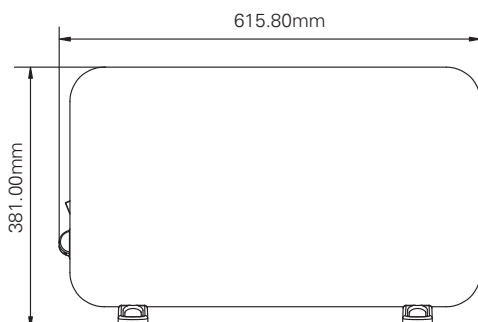
Begge - Høy varme

Both - High Heat

Merk: Når ovnen blir slått på for første gang, kan det utløse en liten lukt eller røyk. Denne lukten eller røyken er en vanlig forekomst forårsaket av oppvarming av varmeelementene og bør ikke oppstå igjen.

Note: When the appliance is turned on for the first time, it may release a slight, odor or smoke. This odor or smoke is a normal occurrence caused by the initial heating of the internal heating elements and should not occur again.

MÅL / MEASURES



**MÅ IKKE TILDEKkes/
DO NOT COVER**

SIKKERHET / SAFETY

Må ikke tildekkes, ovnens overflate kan bli svært varm og må plasseres i trygg avstand fra brennbart materiale. Koble fra strømmen ved vedlikehold. Ved bruk av skjøteledning må den være kortest mulig og være utstrakt når ovnen er på.

Do not cover the heater surface, the heater can become very hot and must be placed at a safe distance from flammable material. Disconnect power during maintenance. If using an extension cord it must be as short as possible and be extended when the oven is on.

Information requirement for the electric local space heaters

Model identifier(s): 54000 / NCH-01, 54001 / NCH-01					
Item	Symbol	Value	Unit	Item	Unit
Heat output				Type of heat input, for electric storage local space heaters only (select one)	
Nominal heat output	P _{nom}	2000 KW		manual heat charge control, with integrated thermostat	Not applicable
Minimum heat output(indicative)	P _{min}	750 KW		manual heat charge control with room and/or outdoor temperature feedback	Not applicable
Maximum continuous heat output	P _{max.c}	2000 KW		electronic heat charge control with room and/or outdoor temperature feedback	Not applicable
Auxiliary electricity consumption				fan assisted heat output	Not applicable
At nominal heat output	el max	Not applicable	KW	Type of heat output/room temperature control (select one)	
At minimum heat output	el min	Not applicable	KW	single stage heat output and no room temperature control	No
In standby mode	el sb	Not applicable	KW	Two or more manual stages, no room temperature control	No
				with mechanic thermostat room temperature control	Yes
				with electronic room temperature control	No
				electronic room temperature control plus day timer	No
				electronic room temperature control plus week timer	No
				Other control options (multiple selections possible)	
				room temperature control, with presence detection	No
				room temperature control, with open window detection	No
				with distance control option	No
				with adaptive start control	No
				with working time limitation	No
				with black bulb sensor	No
Contact details		NAMRON AS Nedre kalbakkvei 88B N1081 Oslo Norway			