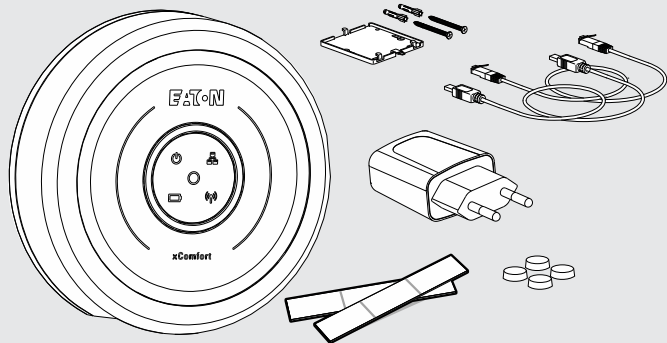




Quick Installation Card

Hurtig installasjon kort - Snelle installatiekaart -
Schnellinstallationskarte - Karta pro rychlou instalaci



Content - Innhold - Inhoud - Inhalt - Obsah



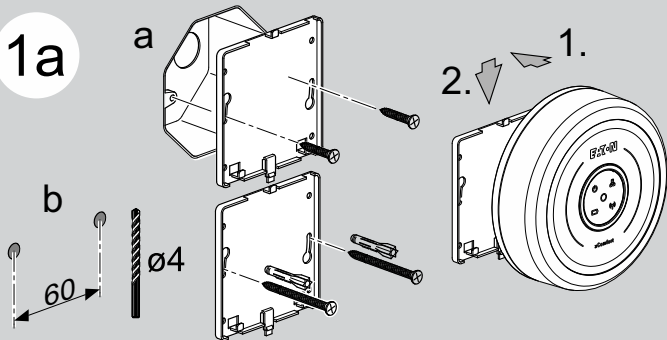
Powering Business Worldwide



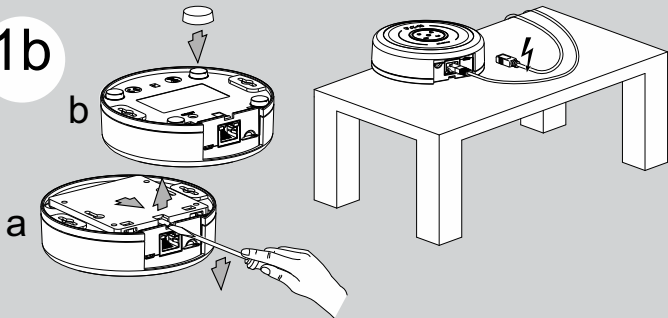
www.eaton.com/recycling

© 2019 by Eaton Industries (Austria) GmbH
Eugenia 1, 3943 Schrems, Austria
www.eaton.eu/documentation
All Rights Reserved, Printed in Austria

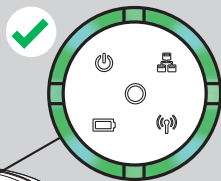
1a



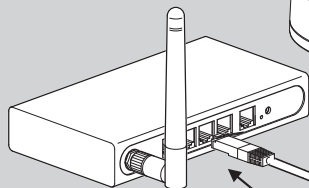
1b



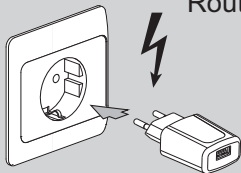
2



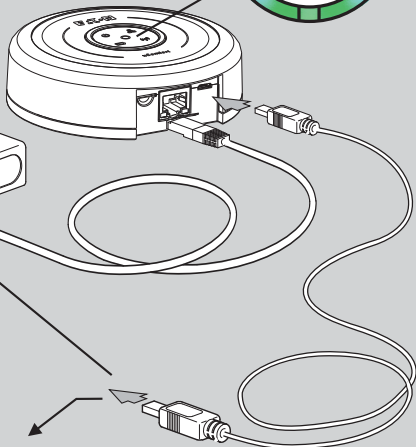
WLAN Router



USB Router



USB Power Adapter



3a



xComfort Bridge

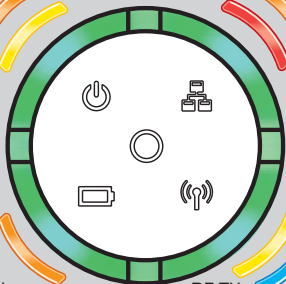
3b



- EN Start App, select your xComfort Bridge and follow the Instructions. The Bridge must be in the same network!
- NO Start app, velg xComfort Bridge og følg videre instruksjer. xComfort Bridge må være i samme lokale nettverk!
- NL Start de app, selecteer uw xComfort Bridge en volg de instructies op. De xComfort Bridge moet zich in hetzelfde netwerk bevinden!
- DE Starten Sie die App, wählen Sie Ihre xComfort Bridge aus und folgen Sie den Anweisungen. Die Bridge muss sich im selben Netzwerk befinden!
- CZ Spustte aplikaci, vyberte svůj xComfort Bridge a postupujte podle pokynů. Bridge musí být ve stejné síti!"

Update
Oppdater
Update
Update
Aktualizace

Boot



No IP Address
Ingen IP-adresse
Geen IP Adres
Keine IP Adresse
Žádná IP adresa

No connection
Ingen tilkobling
Geen verbinding
Keine Verbindung
Žádné spojení

Back to factory default
Tilbake til fabrikkinnstillinger
Terug naar fabrieksinstellingen
Zurück zu den werkseitigen Standard
Zpět na tovární hodnoty

Weak battery
Svakt batteri
Zwakke batterij
Schwache Batterie
Slabá baterie

RF TX
RF Status



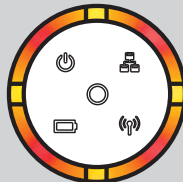
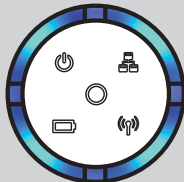
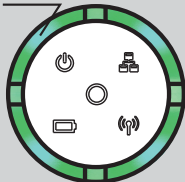
Step 1: >0,5s (<1s)
Step 2: > 5s
Blink 5x

Blinking
Blinker
Knippert
Blinkt
Blikání



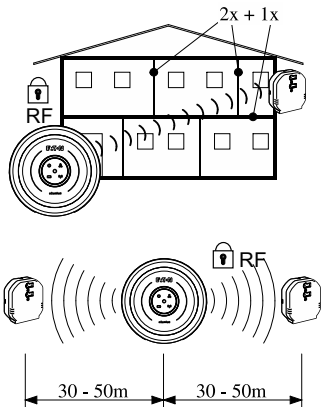
Learning Mode
Læremodus
Leermodus
Lernmode
Režim učení

Replace battery
Bytt batteri
Vervang batterij
Batterie ersetzen
Vyměnit baterii



Technical Data / Tekniske data / Technische gegevens / Technische Daten / Technická data

Power supply	5 VDC, 1 A, power unit connector, separate power unit
Power consumption	Typical <0,5 W
RF	868,3MHz (xComfort compatible)
Max RF power	25 mW (ERP)
Degree of protection	IP20
Operating temperature	+5 to +45 °C
Storage/transportation temperature	-25 to +70 °C
Housing colour	Similar to RAL9010
Dimensions housing	105 x 105 x 31 mm (H x W x D)



E.T.N

Declaration of Conformity

Wt. 4/2019a (Revision 04/2019) (Eaton)
8023 Eaton, Belgium, 1
Eaton

(Eaton or our sole responsibility as manufacturer that the product being)

Eaton - Bridge
CBCA-001a

(The manufacturer of electricity system to all
Eaton types with our actual product catalogue)

product that is intended, manufactured and placed on
the market intended to, with respect to the relevant manufacturer's
instructions, installation details and "good engineering practice"
complies with the positions of Council Directives)

8023 Eaton 20190801
8023 Eaton 20190801

(based on compliance with following standards)

EN 50178-1 V2.1.1, EN 50178-2 V2.1.1, EN 50178-3 V2.017, EN
50178-4 V2.017, EN 50178-5 V2.017, EN 50178-6 V2.017, EN
50178-7 V2.017, EN 50178-8 V2.017

12.03.2019

10/2019a (Rev. 04/2019)

Senior Vice President
General Manager

Director Quality
& Systems