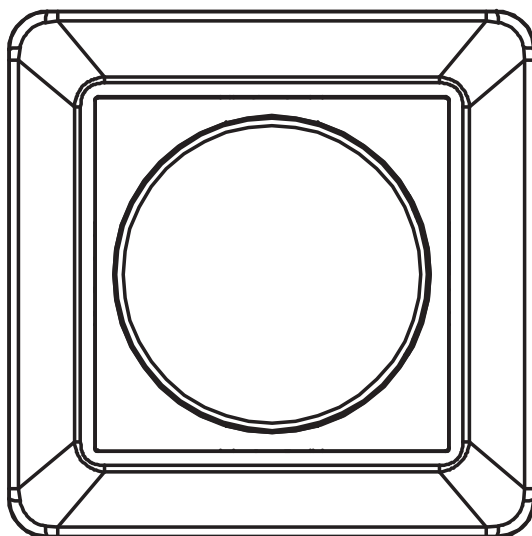
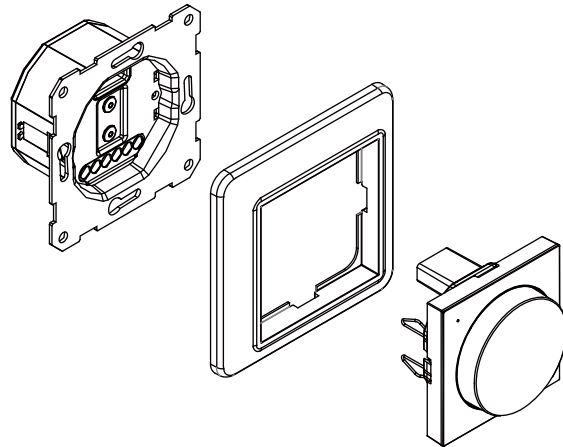


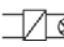

INSTRUCTION MANUAL

NAMRON ZIGBEE LED DIMMER 2.0



NAMRON ZIGBEE LED DIMMER 2.0

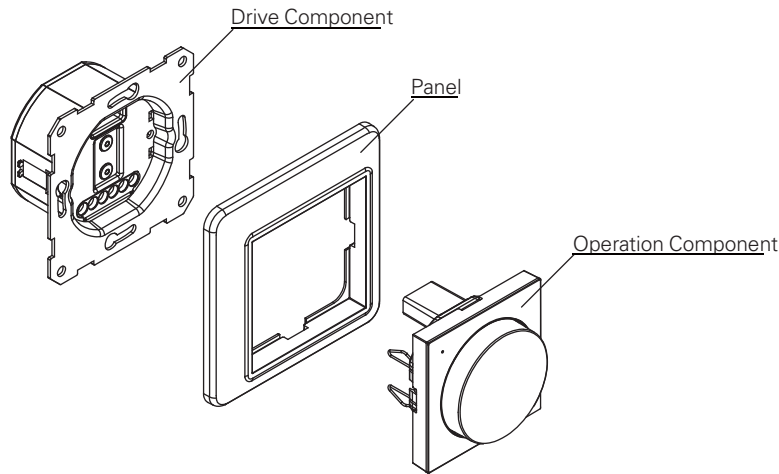


Model No.	4512750,4512751
Rated Voltage	220-240V~
Rated Frequency	50Hz
Rated Wattage	300W
Load Range	Incandescent:15W-300W
	LED/CFL:3W-200W
	 :3W-200W
	 :3W-100W
Dimming Method	Phase-cut
Working Environment	Temperature: -10°C - 35°C
	Humidity: 10% R.H. - 90% R.H.
Model Size	71mm×71mm×52mm (L×W×H)

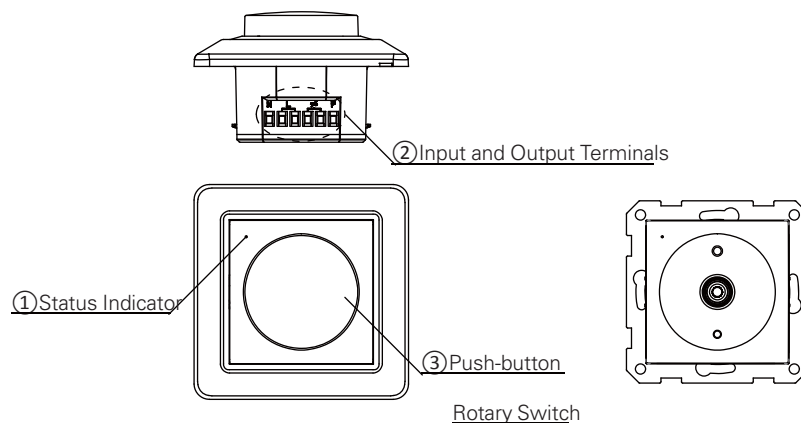
1. WARNINGS AND CAUTIONS

- 1.1 Risk of fire and electrical shock, the dimmer should be installed in accordance with appropriate electrical codes and regulations.
- 1.2 The dimmer should be protected by a 16A maximum miniature circuit breaker.
- 1.3 Turn power off at circuit breaker or fuse and test that power is off before installing.
- 1.4 After install the dimmer, it is recommended to set the minimum brightness level to make bulbs turn on immediately.
- 1.5 If you are unsure about any part of these instructions, consult a licensed electrician.
- 1.6 To reduce the risk of overheating and possible damage to other equipment, do not install to control a receptacle, a motor-operated appliance or a transformer-supplied appliance.
- 1.7 Use with compatible dimmable LED, CFL bulbs, Incandescent or halogen bulbs only.
- 1.8 When multiple bulbs are used with one dimmer DO NOT mix bulb types. All bulbs shall be either LED, CFL or incandescent. Using the same model of each bulb will enhance dimmer performance.
- 1.9 This product complies to EN60669-2-1.

2. Splicing Design



3. Functional Specifications



3.1 Status Indicator

3.1.1 Indicator lights blue and flash: Enter to Zigbee mode connection.

3.2 Input and Output Terminals

3.2.1 N: Input terminal (Connect the neutral and live wire "N")

3.2.2 L: Input terminal (Connect the live wire "L")

3.2.3: Output terminal (Connect the bulbs)

3.2.4 P: Signal input terminal (Connect the self-reset switch-output terminal)

Short press: Within 0.5s
Long press: Over 0.5s
Continuous short press: Each interval of short press should within 1s

3.3 Push-button Rotary Switch

3.3.1 Turn on: Short press one time when in OFF.

3.3.2 Turn off: Short press one time when in ON.

3.3.3 Dimming:

a. Turn clockwise to increase the brightness.

b. Turn counterclockwise to decrease the brightness.

c. Long press to adjust the brightness when in ON status.

Release and long press again to change the direction of the dimming brightness.

3.3.4 Continuous short press two times when in ON/OFF can quickly turn to the full brightest.

3.3.5 Setting the ideal min brightness when in on status, continuous short press six times and the lamp flash three times.

3.3.6 Setting the ideal max brightness when in on status, continuous short press eight times and the lamp flash three times.

3.3.7 Network mode: Continuous short press seven times when in ON status.

then the APP can connect the dimmer when the bulb flash once and the status indicator turn blue and flash. (①If failed to connect,APP will exit the network mode after three minutes.②During the network connection,the lamp may flicker if the light is in the brightest.After the network is successfully configured or the network is been withdrawn, the lamp will return to normal).

3.3.8 Continuous short press nine times when in on status and the lamp flash five time to clear the setting brightness(min or max).

3.3.9 Restore factory Settings: Continuous short press ten times when in ON and the lamp flash once.

4. Tools Needed To Install The Dimmer

Ø5mm Philips Screwdriver	Test pencil
Electrical Tape	Plier
Cutter	Ruler

5. Installation

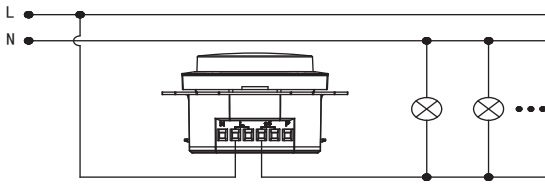
5.1 ⚠ WARNING: To avoid fire and electrical shock, TURN OFF POWER at circuit breaker or fuse and test that power is off before wiring.

5.2 Choose the connection of 5.3.1 or 5.3.2 to install the dimmer per your requirement. *The wire core cross-sectional area of the terminals is 0.75 mm² - 1.5mm²,stripping length is 9mm.

5.3 Typical wiring application

5.3.1 Live Wire

5.3.1.1 1-Way



5.3.1.2 Multi-way

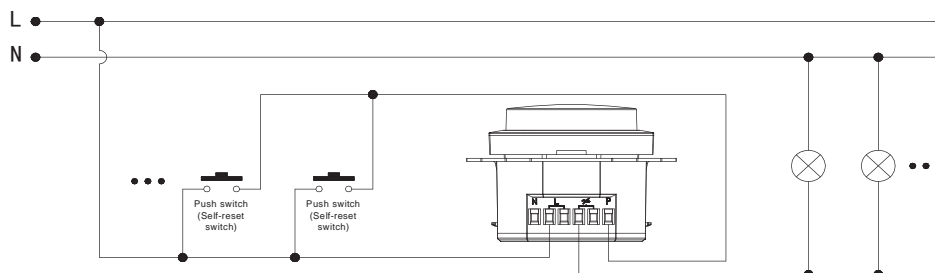
NOTE:

(a)The dimmer should be connected to the electricity side of the load to ensure normal work.

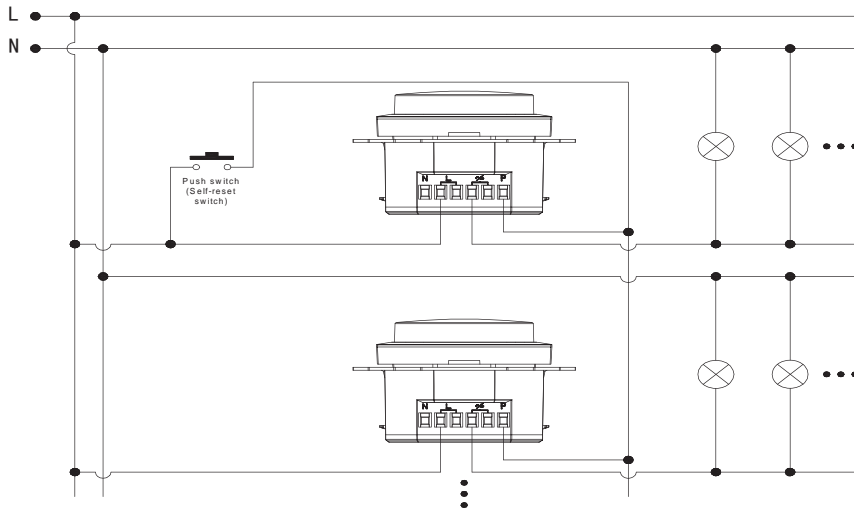
(b)The dimmer support to connect with multiple self-reset switches (20pcs at most) to control the UP/DOWN and ON/OFF at the same time.

(c)Two or more dimmers should not be connected in parallel or series to control the same load from two different locations.

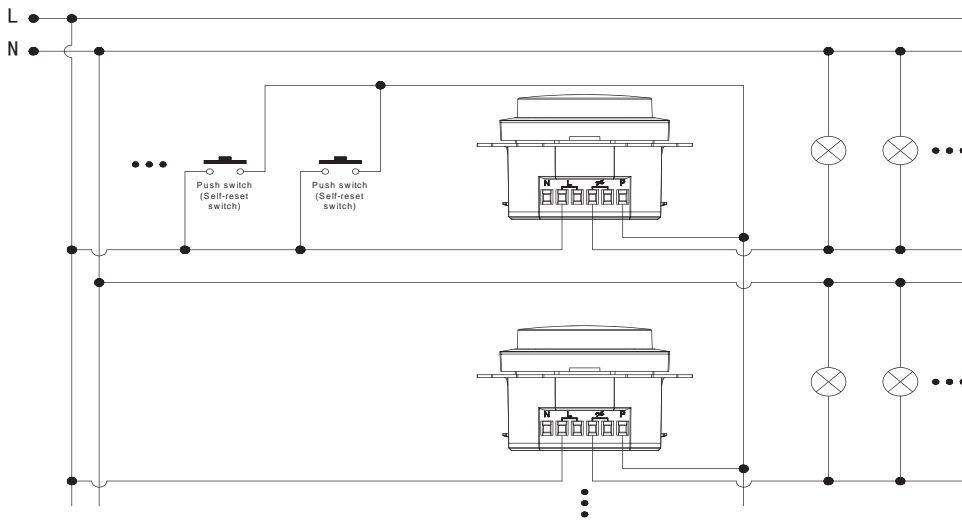
Multi self-switches control one dimmer wiring diagram



Oneself-resetswitchcontrolmultipledimmerswiringdiagram

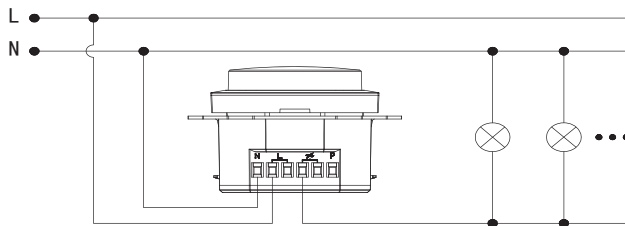


Multipleself-resetswitchescontrolmultipledimmerswiringdiagram



5.3.2 Neutral and Live Wire

5.3.2.1 1-Way

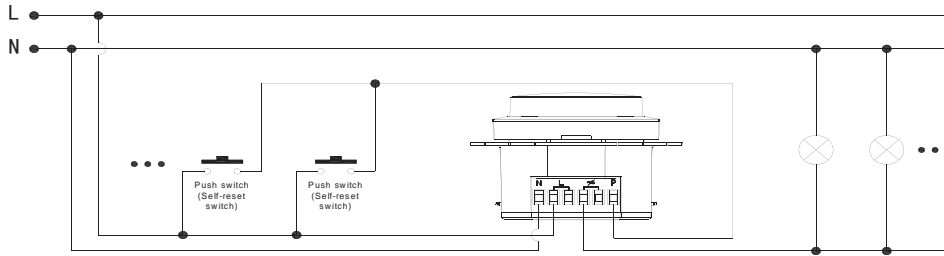


5.3.2.2 Multi-way

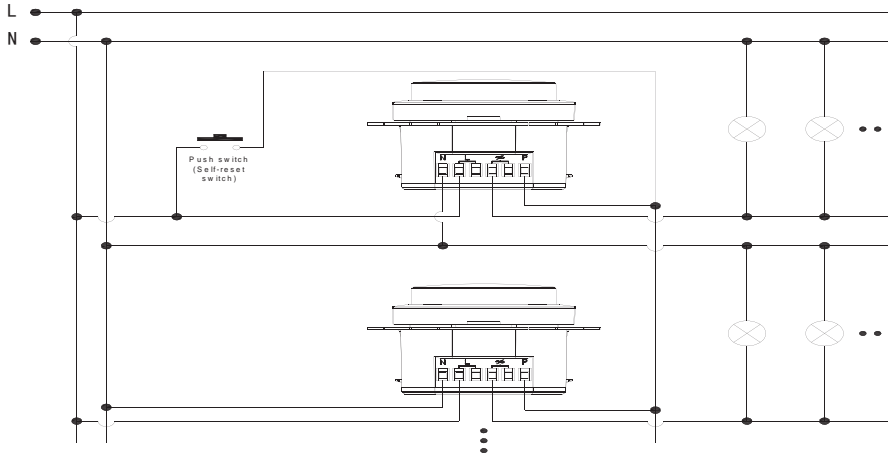
NOTE:

- (a) The dimmer should be connected to the electricity side of the load to ensure normal work.
- (b) The dimmer support to connect with multiple self-reset switches (20pcs at most) to control the UP/DOWN and ON/OFF at the same time.
- (c) Two or more dimmers should not be connected in parallel or series to control the same load from two different locations.

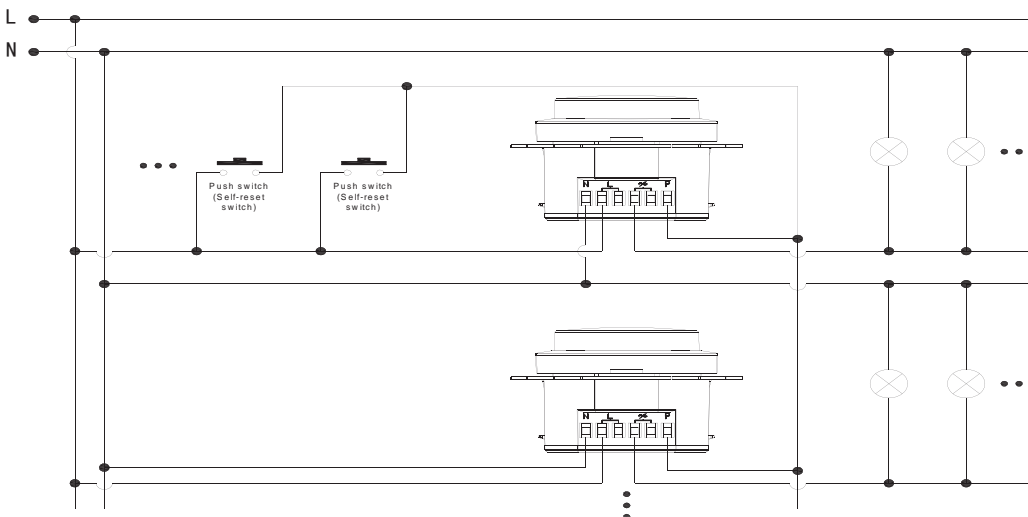
Multi self-reset switches control one dimmer wiring diagram



One self-reset switch control multiple dimmers wiring diagram



Multiple self-reset switches control multi-way dimmers wiring diagram



5.4 Installing dimmer

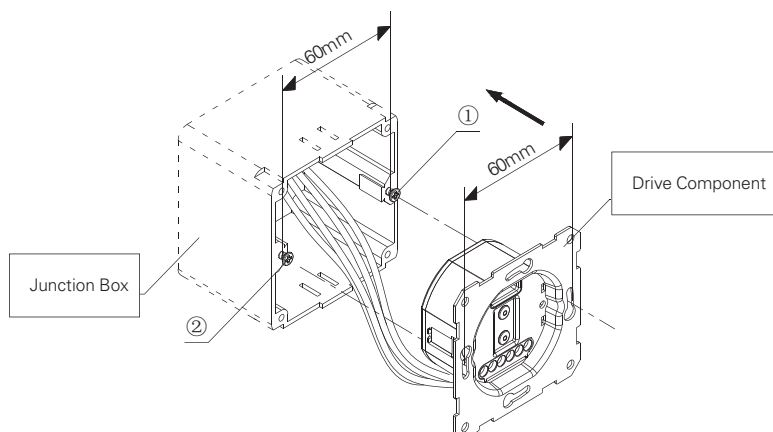
5.4.1 Divide the dimmer into two parts.

(Operation Component, Panel and Drive Component)

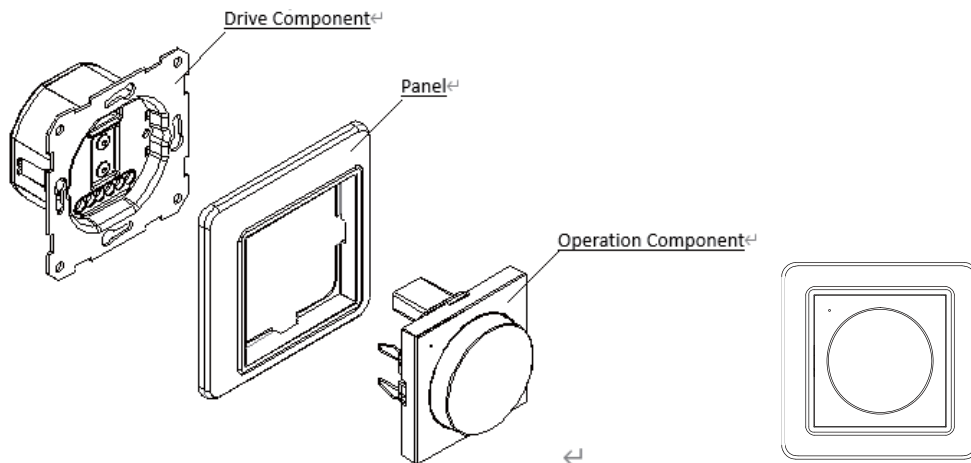
5.4.2 Carefully position all wires inside the wall-box, leaving enough space to insert the dimmer housing.

5.4.3 Put the Drive Component inside the wall-box and align at the screw holes(①②)

5.4.4 Tighten the screws(①②) to let the Drive Component stick to the Junction Box.



5.4.5 Install the Operation Component to the Fixing Panel and put them together to the Drive Component.



6. User Instructions

6.1 Function Instructions

Table 1 1-way application function

Function	Dimmer Operation Way	Dimmer Operation	App Operation
Network Mode	Continuous short press the push-button rotary dimmer seven times	√	×
ON/OFF	Short press the push-button rotary switch one time	√	√
Dimming	Turn the push-button rotary switch	√	√
Quickly turn to the full brightest	Continuous short press the push-button rotary switch two times	√	√
Set the min brightness	Continuous short press the push-button rotary dimmer six times	√	×
Set the max brightness	Continuous short press the push-button rotary dimmer eight times	√	×
Clear the setting(min or max) brightness	Continuous short press the push-button rotary dimmer nine times	√	×
Restore factory Settings	Continuous short press the push-button rotary switch ten times	√	×
Schedule on/off	NO	×	√
Share device	NO	×	√
Group control	NO	×	√

Function	Dimmer Operation Way	Dimmer Operation	Self-reset Switch Operation	App Operation
Network Mode	Continuous short press the push-button rotary dimmer seven times	√	×	×
ON/OFF	Short press the push-button rotary switch one time	√	√	√
Dimming	Turn the push-button rotary switch	√	√	√
Quickly turn to the full brightest	Continuous short press the push-button rotary switch two times	√	√	√
Set the min brightness	Continuous short press the push-button rotary dimmer six times	√	×	×
Set the max brightness	Continuous short press the push-button rotary dimmer eight times	√	×	×
Clear the setting(min or max) brightness	Continuous short press the push-button rotary dimmer nine times	√	×	×
Restore factory Settings	Continuous short press the push-button rotary switch ten times	√	×	×
Schedule on/off	NO	×	×	√
Share device	NO	×	×	√
Group control	NO	×	×	√

6.2 Priority

The operation of self-reset switch could stop the operation of APP, when at the operation of self-reset switch, APP operation could not work.

7.Troubleshooting

Problems	Possible Cause	Solution
Lights flickering	Lamp has a bad connection.	Reconnect and fix the wires.
The brightness of the lamp varies	One dimmer been connected to multiple types bulbs, incur interference and cause flicker.	Change bulbs to same type.
LED and CFL flickers at low end of dimming range.	Load compatibility is not good.	Turn up lamp minimum brightness properly.
Lights does not turn on	Circuit breaker has tripped.	Turn power on
	Fuse burn out	Change fuse
	Lamp burned out	Change lamp
	Lamp neutral connection is not wired	Reconnect the lamp neutral
Lights out of control	Abnormal	Restart the power switch

Importer:
Namron AS
Nedre kalbakkvei 88 B
1081 Olso
Norway

Made in China