

ECOLOGY

IP65 DISTRIBUTION BOXES

Description: IP65 SURFACE BOX 1x6 MOD. (TW). ABS. N&E BARS

Reference:

CDN6PT/RR

Characteristics:

Product type:	ABS watertight distribution boxes with neutral and earth bars (Sealable)
Exterior dimensions (Height x Width x Depth):	231x202x113 mm
Dimensions of the flush-fit gap (HxWxD):	-
Number of modules:	1x6 DIN rail
Installation:	Surface
Color:	Grey RAL 7035
Window:	Transparent tinted window. UV protection polycarbonate
Weight (Kg):	0,91
Cable entry:	Top: 2xM25 - 1xM40. Bottom: 2xM25 - 1xM40. Oblong rear: 2xOB25/25
Components:	N&E Cable section: 1x(16-35 mm ²)+2x(2,5-6 mm ²)+2x(4-10 mm ²)
Materials:	Halogen-free plastic materials. Frame and base: ABS. Recommendend for outdoor use: UV protection under ISO standard 4892-2, Method A: 500h

Technical data:

Degree of protection:	IP65
Resistance to impact:	IK08
Glow wire resistance:	650 °C
Ball pressure test:	70 °C
Ambient temperature range:	-25 °C / +40 °C
Maximum operating voltage:	1000 V AC / 1500 V DC
Double insulation:	Class II

Certificates and standards:

Directive:	2014/35/EU
Standards:	UNE-EN 62208 and IEC 62208
Certificates:	



Codes:

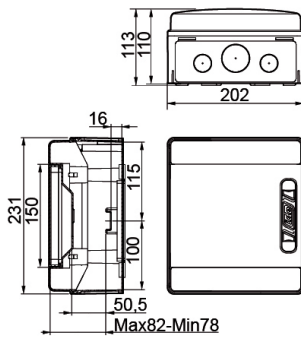
EAN:	8431044129167
Customs tariff number:	85.38.10.00
ETIM 6.0:	EC001892

ECOLOGY


IP65 DISTRIBUTION BOXES

Description: IP65 SURFACE BOX 1x6 MOD. (TW). ABS. N&E BARS

Reference: CDN6PT/RR



Detailed drawing:

 <http://www.ide.es/downloads/planos/pdf/CDN6PTRR.pdf>

 <http://www.ide.es/downloads/planos/dxf/CDN6PTRR.dxf>

Exterior dimensions (Height x Width x Depth):

231x202x113 mm

Dimensions of the flush-fit gap (Height x Width x Depth):

-

Sustainability:

RoHS - REACH

Supply:

Supplied in individual cardboard packaging. When several items are sent together, they are bundled together with transparent film.

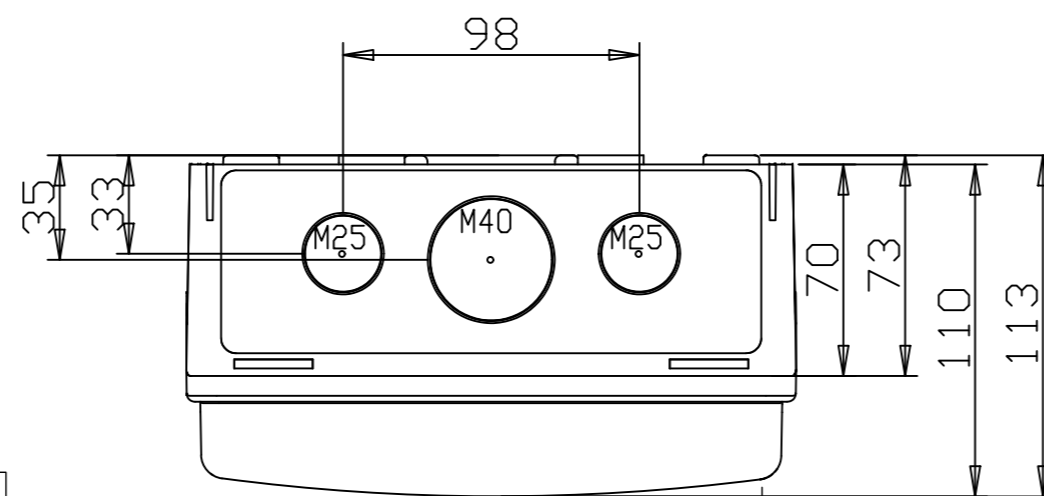
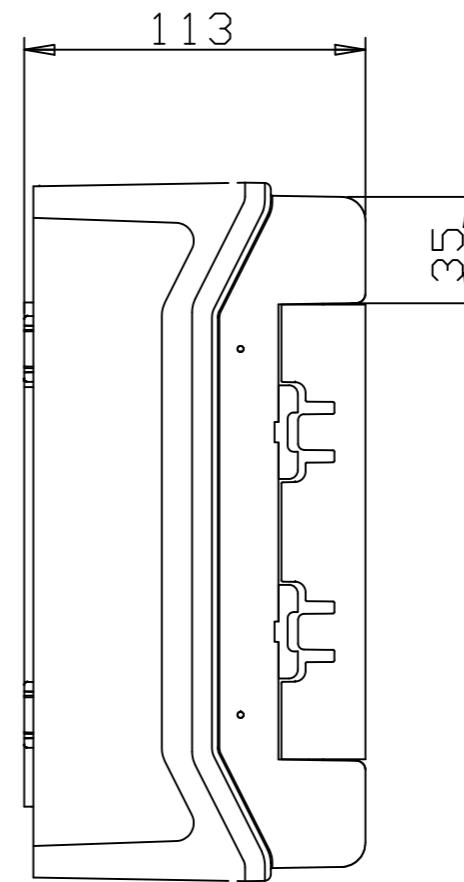
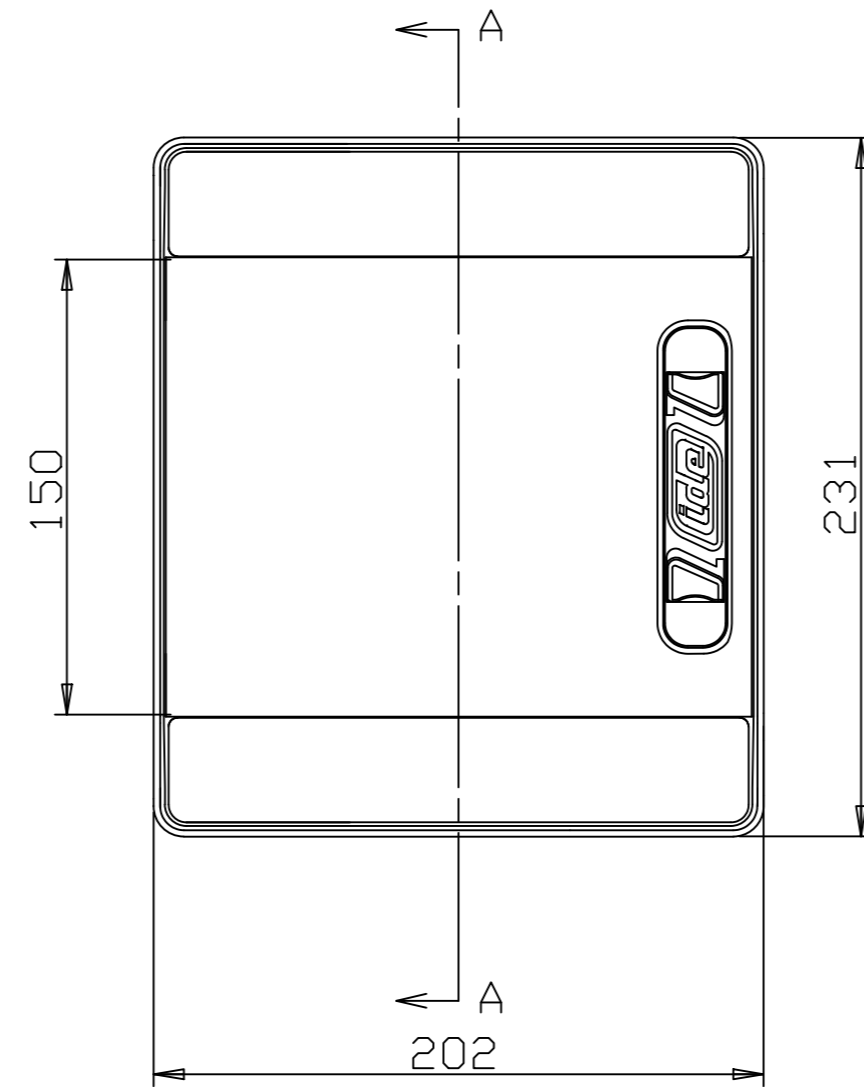
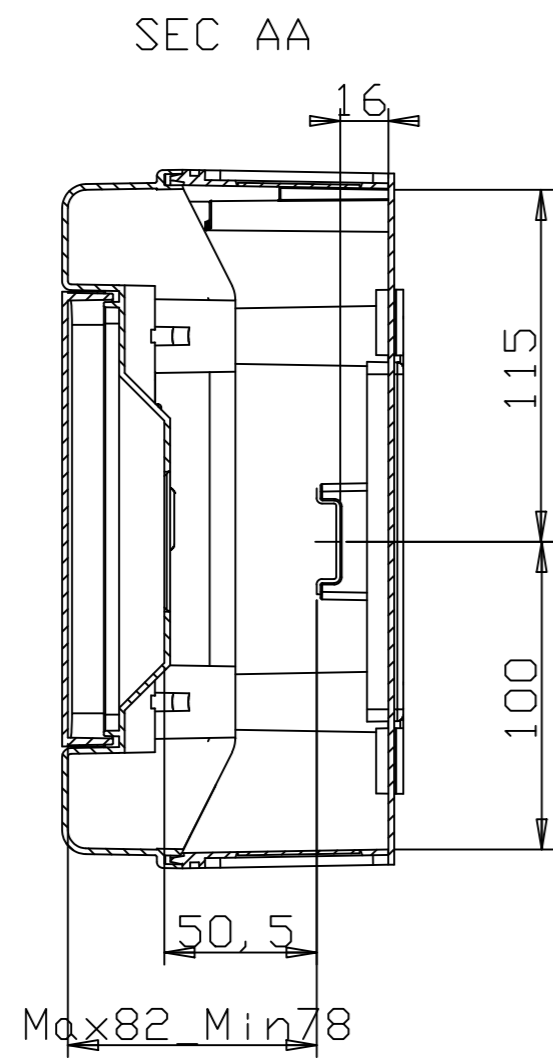
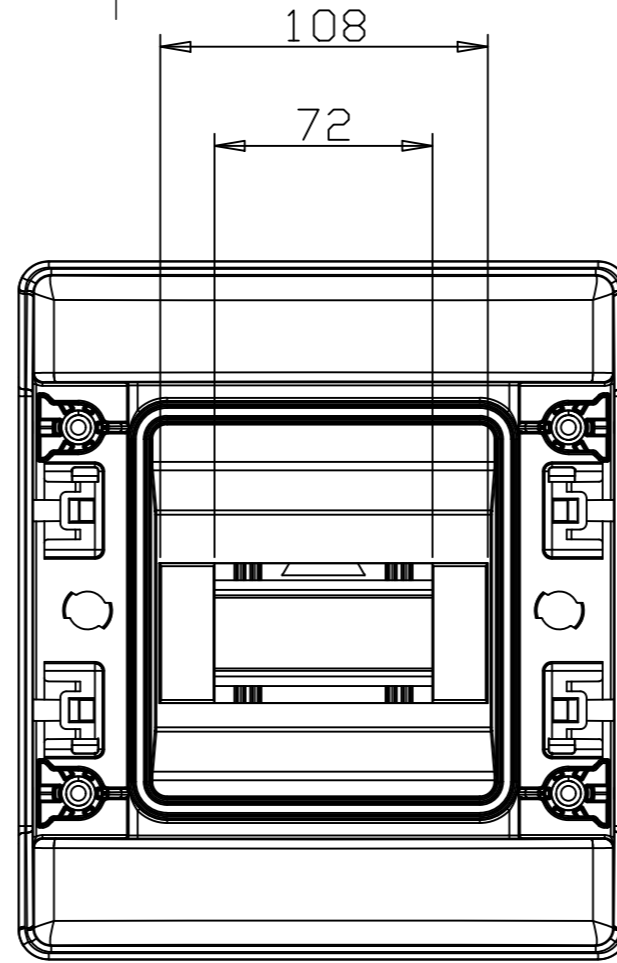
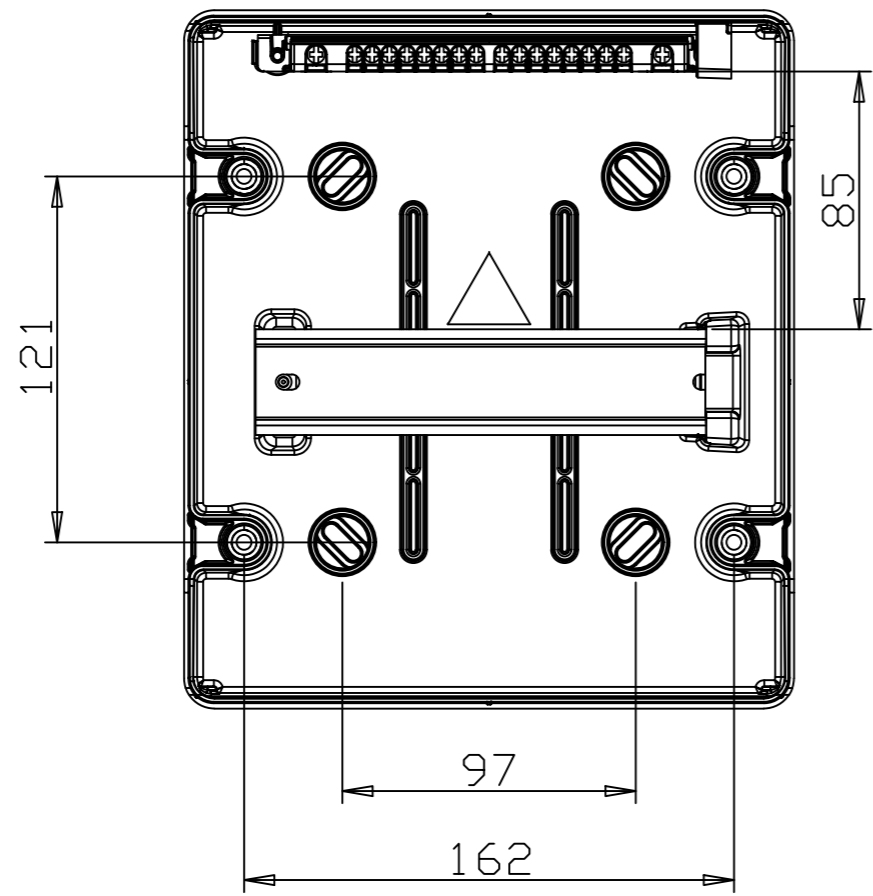
Packaging units: 6

Product end of life:

It does not require specific recycling operations.

Recommended applications:

Industrial and outdoor environments. Industrial sites, docks, swimming pools, garages, anywhere that requires a high degree of protection against dust, splashes and impacts.



2xM25
1xM40

MODIFICADO / MODIFIED					DESCRIPCION DEL CAMBIO / CHANGE DESCRIPTION
FRIMA / SIGNATURE DIGITAL	NOMBRE / NAME	FECHA / DATE	Nº EDIC. / MODIF.		
APROBADO / CHECKED	C.VICENTE	14/06/2016		DESCRIPCION / DESCRIPTION	PROYECTO / PROJECT
DIBUJADO / DRAWN	J.P.VERA	14/06/2016		CDN6PT/RR	ECOLOGY
				CDP6PT/RR	SUSTITUYE / REPLACE
				CODIGO DE PLANO / DRAWING CODE	
				EN 22768-mK	EDICION / EDITION Nº 1
				100.06.011	