

EVoline® T-Dock

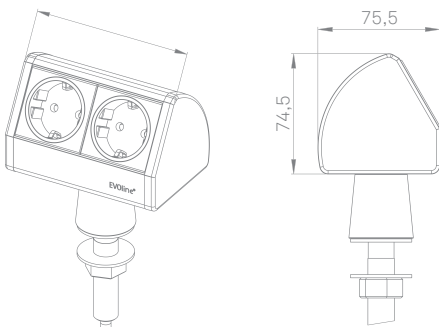


At home in the kitchen.

EVoline® T-Dock

The EVoline T-Dock is raised above the work surface by its solid stainless steel pillar. This gives clutter free space and creates a safe distance between power supply and potentially wet surfaces in the kitchen.

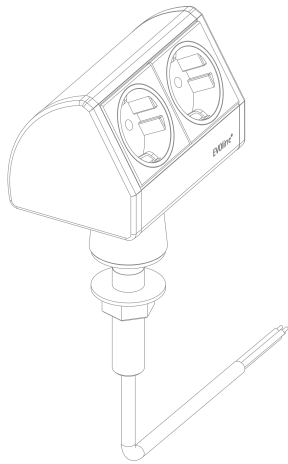
The power supply cable is routed through the stainless steel pillar which is also a high quality anti-theft device since it is firmly screwed beneath the surface.



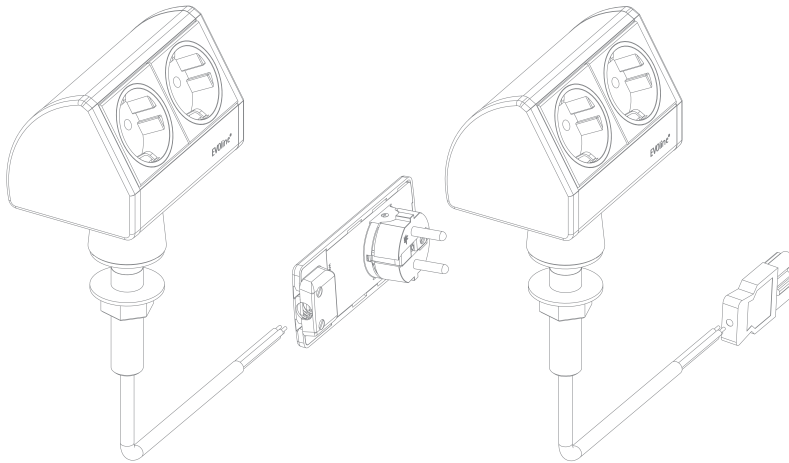
Dimensions in mm

Profile	Aluminium
End Caps	Plastics
Installation	Mounted with Steel Pillar
Surface thickness	max. 40 mm

Examples for power supply of the T-Docks:



Fixed Power Supply Cable
routed through the stain-
less steel pillar.



Fixed Power Supply Cable
routed through the stain-
less steel pillar.

Available with several
country specific plugs,
EVoline Plug, wire end
ferrules,
Wieland GST 18i3- or
WAGO WINSTA Connector.

EVOLine®

Schulte Elektrotechnik GmbH & Co. KG

Juengerstrasse 21
D-58515 Luedenscheid
Germany

Telephone +49 23 51 / 94 81-0
Fax +49 23 51 / 4 26 58

E-Mail info@schulte.com
Internet www.evoline.com

