

FDV – DOKUMENTASJON		Nr.: 060
		Rev.:
		Dato: 5.1.2016
Produktspesifikasjon	Distribusjonsblokker	
Produktnavn	Serie OLJ	
Anvisning for drift	Ingen	
Vedlikehold	Produktet er vedlikeholdsfritt	
Henvisninger Vedlegg	Produktkatalog, dokumentasjon, brukerveiledning og tekniske data	
Produsent	Ouneva group www.ounevagroup.fi/en/ouneva-products/home/	
Importør	EFA Elektro AS, Postboks 593, 1411 Kolbotn, Norway Tlf. 66812400 e-mail: post@efa.no - www.efa.no	

EFA Elektro AS



Rune Hovland
Produktsjef

Product data

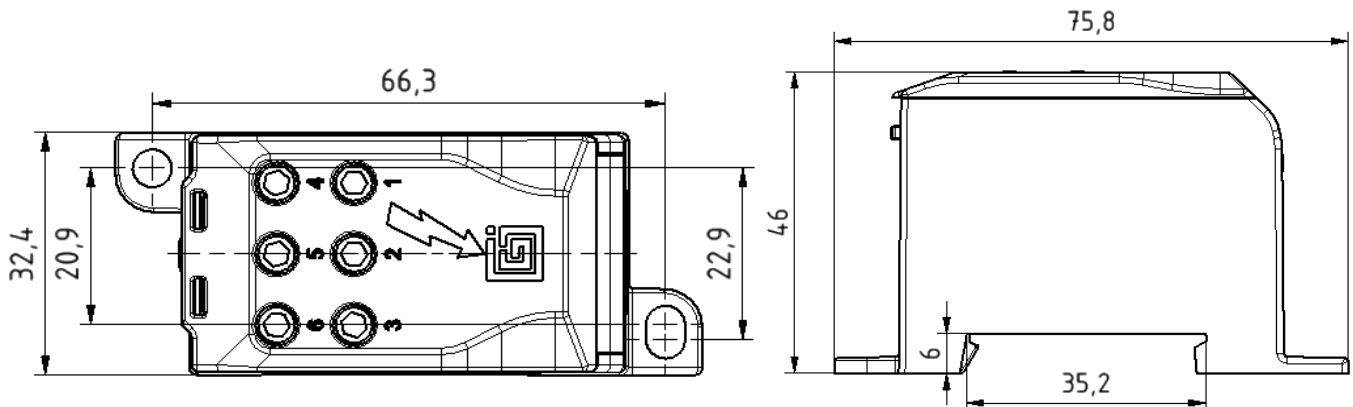
Product code	VG03-0006	STK-code	1912009	EAN-code	6410019120097
Product name	OJL-connector 200				
Wires	1xAl/Cu (10-70mm²)/ 6x(2,5-16mm²)				

Technical data

Nominal current	Cu	200	A
	Al	160	A
Nominal voltage		1000	V
Max. Current (US)	Cu	-	A
	Al	-	A
Max. Voltage (US)		-	V
Number of pole		1	pcs
Max. Cross section		70	mm ²
Tightening torque	50-70 mm ²	10	Nm
	25-35 mm ²	6	Nm
	2,5-16 mm ²	3	Nm
	-	-	Nm
Max. Operating temperature		80	°C
Weight		84	g
IP-protection		IP20	
Standards	EN 61238-1:2003; EN 60947-7-1:2009		
Color/ Material	Grey Cover, Grey Housing RAL 7035		
Mounting/ Connection	DIN-rail and screw mounting		


Description

The Single pole distribution block for branching connection. The single pole distribution block are compact and it will distribute the current through 6 output cables.

Drawing

Package

Package	Box	pcs/ package	24	Weight [Kg]	2,20
Length [mm]	210	Width [mm]	155	Height [mm]	105

Product data

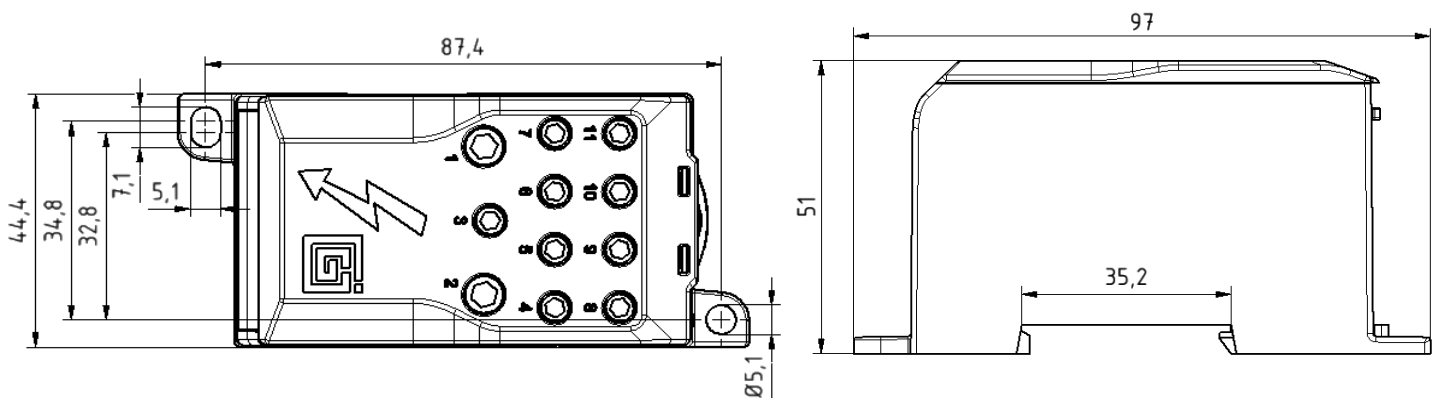
Product code	VG03-0003	STK-code	1912008	EAN-code	6410019120080
Product name	OJL-connector 280				
Wires	1xAl/Cu (35-120mm²)/ 2x(6-35 mm²)/ 5x(2,5-16mm²)/ 4x(2,5-10mm²)				

Technical data

Nominal current	Cu	280	A
	Al	250	A
Nominal voltage		1000	V
Max. Current (US)	Cu	-	A
	Al	-	A
Max. Voltage (US)		-	V
Number of pole		1	pcs
Max. Cross section		120	mm ²
Tightening torque	95-120 mm ²	19	Nm
	50-70 mm ²	10	Nm
	25-35 mm ²	6	Nm
	2,5-16 mm ²	3	Nm
Max. Operating temperature		80	°C
Weight		178	g
IP-protection		IP20	
Standards	EN 61238-1:2003; EN 60947-7-1:2009		
Color/ Material	Grey Cover, Grey Housing RAL 7035		
Mounting/ Connection	DIN-rail and screw mounting		


Description

The Single pole distribution block for branching connection. The single pole distribution block are compact and it will distribute the current through 11 output cables.

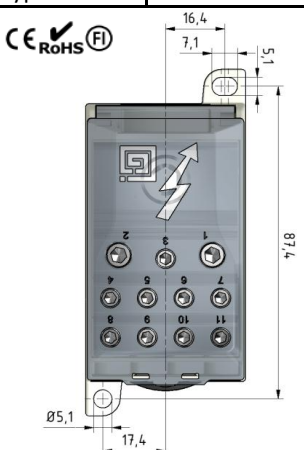
Drawing

Package


Package	Box	pcs/ package	12	Weight [Kg]	2,30
Length [mm]	210	Width [mm]	155	Height [mm]	105

Product data							
Product code	Product name	$I_{n Al}$	$I_{n Cu}$	U_n	$I_{max Al}$	$I_{max Cu}$	U_{max}
VG03-0003	OJL-connector 280	250 A	280 A	1000 V	-	-	-


Installation

Type	DIN-rail and screw mounting						
------	------------------------------------	--	--	--	--	--	--

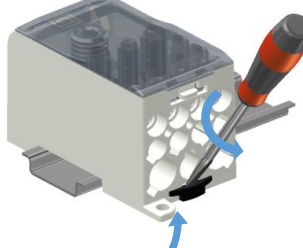




Mounting with screw.
Max. Ø 5

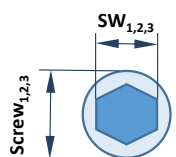
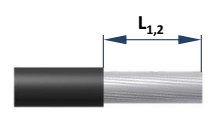


DIN-rail mounting
Set the connector to DIN-rail.
See picture.
Push until "click"

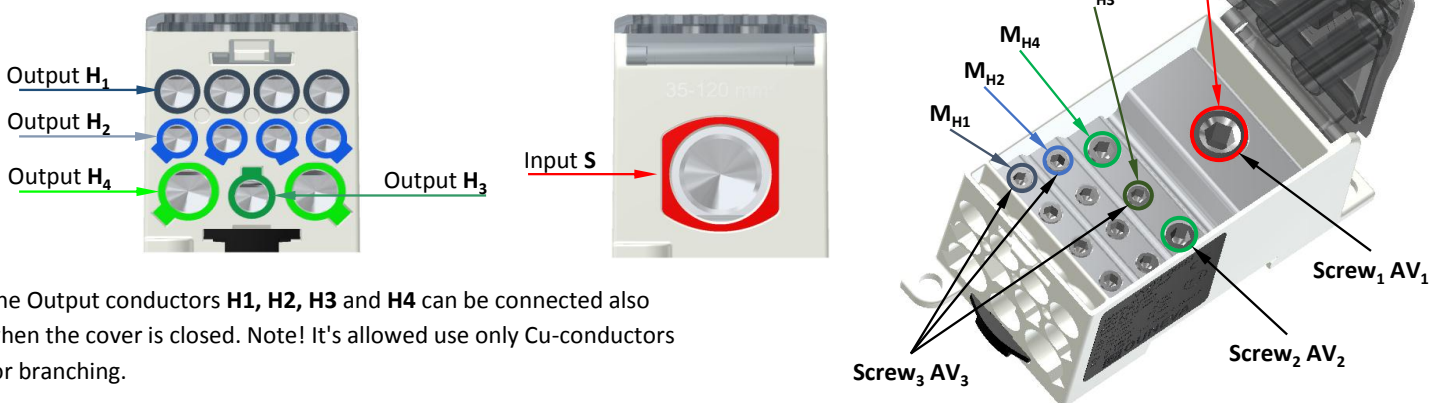


Removing from DIN-rail
Release the slider part with screwdriver. Lift the connector.

Connection

	Screw ₁	M14	Tightening torque M	95-120 mm ²	19 Nm	Stripping length (input) L ₁	26 mm	
	SW ₁	6		(M _s /M _{H1} /M _{H2} /M _{H3} /M _{H4})	50-70 mm ²		10 Nm	(output) L ₂
	Screw ₂	M8		25-35 mm ²	6 Nm			
	SW ₂	4		2,5-16 mm ²	3 Nm			
	Screw ₃	M6		Max. Input cable	120 mm²			
SW ₃	3	Max, Output cable	35 mm²					

Connect the **input** conductor when cover is open. Can be used for both copper- or aluminium conductors. Note! The Aluminium conductor is allowed only one conductor/one space. With the Al-conductors, it's recommended to use anti-corrosion paste. (i.e. Penetrox) We recommend a ferrule when using a fine-stranded conductor.



The Output conductors **H1, H2, H3** and **H4** can be connected also when the cover is closed. Note! It's allowed use only Cu-conductors for branching.

Cross-section of conductors and number of conductors/ space. (S / H1 / H2 / H3/ H4)

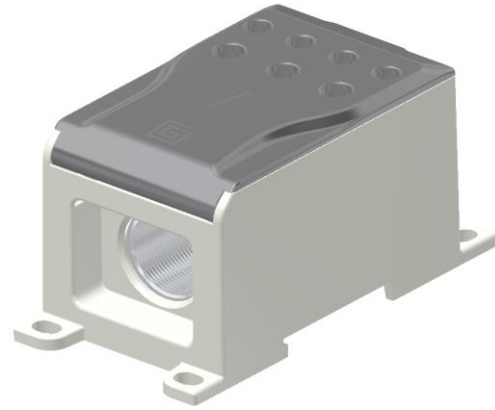
1,5 mm ²	2,5 mm ²	6 mm ²	10 mm ²	16 mm ²	25 mm ²	35 mm ²	50 mm ²	The conductors number on table refer only to industrially installed terminals.
-	0/3/3/3/0	0/2/1/2/3	0/1/1/1/3	0/1/0/1/2	0/0/0/0/1	3/0/0/0/1	2/0/0/0/0	
70 mm ²	95 mm ²	120 mm ²	150 mm ²	185 mm ²	240 mm ²	300 mm ²	400 mm ²	
	1/0/0/0/0	1/0/0/0/0	1/0/0/0/0	-	-	-	-	-

Product data

Product code	VG03-0007	STK-code	1912093	EAN-code	6410019120936
Product name	OJL-connector 400 C				
Wires	1xAl/Cu 95-240/ 3xCu(6-50 mm ²)/ 4xCu(2,5-35mm ²)				

Technical data

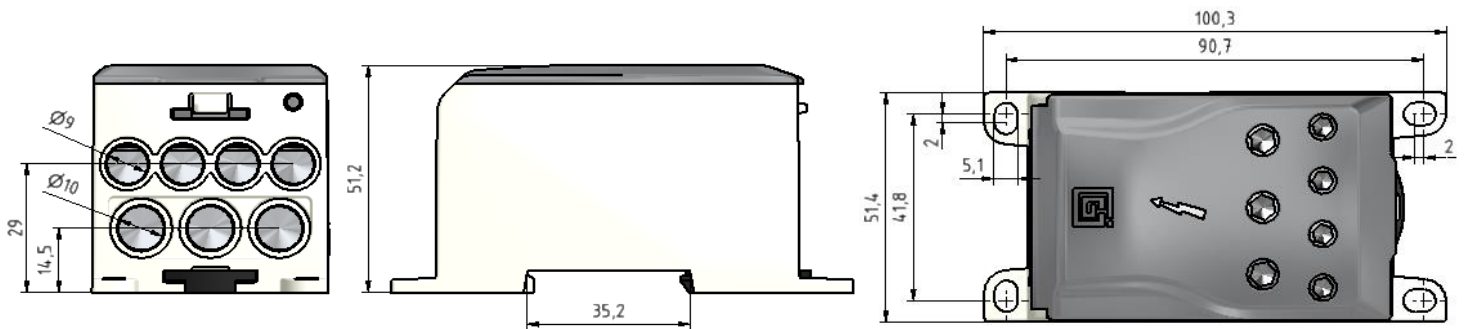
Nominal current	Cu	425	A
	Al	380	A
Nominal voltage		1000	V
Max. Current (US)	Cu	-	A
	Al	-	A
Max. Voltage (US)		-	V
Number of pole		1	pcs
Max. Cross section		240	mm ²
Tightening torque	2,5-35 mm ²	6	Nm
	6-50 mm ²	10	Nm
	95-240 mm ²	25	Nm
	-	-	Nm
Max. Operating temperature		80	°C
Weight		250	g
IP-protection		IP20	
Standards	EN 61238-1:2003; EN 60947-7-1:2009		
Color/ Material	Grey Cover, Grey Housing RAL 7035		
Mounting/ Connection	DIN-rail and screw mounting		



Description

The Single pole distribution block for branching connection. The single pole distribution block are compact and it will distribute the current through 7 output cables.

Drawing



Package

Package	Box	pcs/ package	8	Weight [Kg]	2,10
Length [mm]	210	Width [mm]	155	Height [mm]	105

Product data							
Product code	Product name	I_n Al	I_n Cu	U_n	I_{max} Al	I_{max} Cu	U_{max}
VG03-0007	OJL-connector 400 C	380 A	425 A	1000 V	-	-	-

Installation

Type **DIN-rail and screw mounting**

Mounting with screw.
Max. \varnothing 5

DIN-rail mounting
Set the connector on a DIN-rail.
See picture.
Push until "click"

Removing from DIN-rail
Release the slider part with a screwdriver. Lift the connector.

CE RoHS FI

Connection

Screw size	Screw	Tightening torque M	Stripping length (input) L_1	
			30 mm	(output) L_2 16 mm
SW ₁	M16	(M _s / M _{H1} / M _{H2})	95-240 mm ²	25 Nm
	8		6-50 mm ²	10 Nm
SW ₂	M10	-	2,5-35 mm ²	6 Nm
	5		-	-
SW ₃	M8	Max. Input cable	240 mm²	
	4	Max. Output cable	50 mm²	

Connect the **input** conductor when the cover is open. Both the copper- or aluminium conductors can be used in the input. Note! When using the aluminium conductor, it is only allowed to use one conductor/one space.

With the Al-conductors, it's recommended to use anti-corrosion paste. (i.e. Penetrox)
We recommend a ferrule when using a fine-stranded conductor.

Output H_1
Output H_2

Input S

M_s
 M_{H1}
 M_{H2}
Screw₁ Sw₁
Screw₂ Sw₂
Screw₃ Sw₃

The branching conductors **H1** and **H2** can be connected also when the cover is closed. Note! It's only allowed to use Cu-conductors for branching.

Cross-section of conductors and max. number of conductors/ space (for Cu-conductors). (S / H1 / H2)

1,5 mm ²	2,5 mm ²	6 mm ²	10 mm ²	16 mm ²	25 mm ²	35 mm ²	50 mm ²	Note! The specified amount of conductors refers only to industrially installed terminals.
-	0/3/0	0/3/3	0/3/3	0/2/3	0/1/2	0/1/1	0/0/1	
	70 mm ²	95 mm ²	120 mm ²	150 mm ²	185 mm ²	240 mm ²	300 mm ²	400 mm ²
	-	2/0/0	2/0/0	1/0/0	1/0/0	1/0/0	-	-