

Product data

Product code	VC05-0031	STK-code	1914127	EAN-code	6410019141276
Product name	OTL-connector 2xAl/Cu 150mm ² (Grey)				
Wires	2xAl/Cu 150mm ²				

Technical data

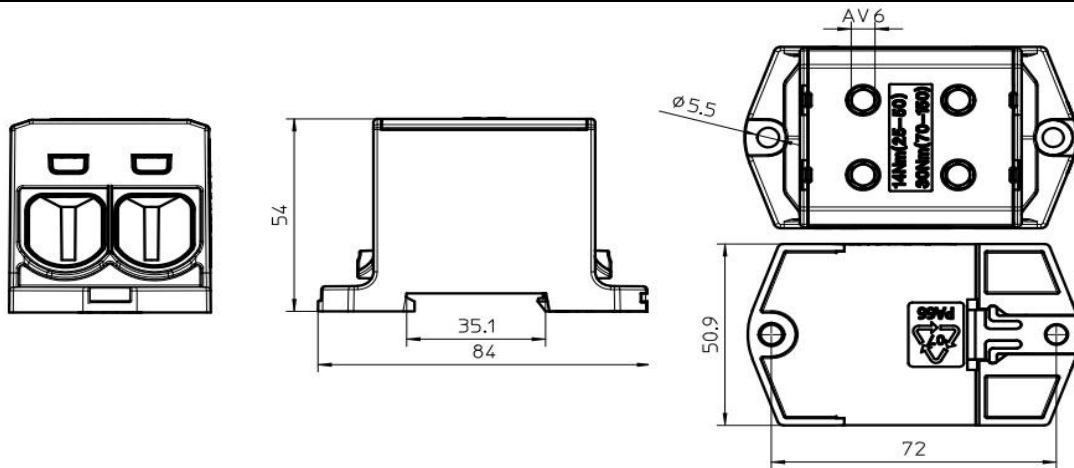
Nominal current	Cu	640	A
	Al	580	A
Nominal voltage		1000	V
Max. Current (US)	Cu	-	A
	Al	-	A
Max. Voltage (US)		-	V
Number of pole		1	pcs
Max. Cross section		150	mm ²
Tightening torque	25-50 mm ²	14	Nm
	70-150 mm ²	30	Nm
		-	Nm
		-	Nm
Max. Operating temperature		80	°C
Weight		170	g
IP-protection		IP20	
Standards	EN 61238-1; EN60947-7-1		
Color/ Material	Grey RAL 7035/ PA66-V0		
Mounting/ Connection	DIN-rail and screw (M5) mounting		



Description

OTL-connectors are designed to be used connecting and branching aluminium and copper conductors. The body is made of tin plated aluminium.

Drawing



Package

Package	Box	Pcs / Package	10	Weight [kg]	1,80
Length [mm]	210	Width [mm]	155	Height [mm]	105