

FDV – DOKUMENTASJON		Nr.: 063
		Rev.:
		Dato: 5.1.2016
Produktspesifikasjon	Tilkoblingsklemmer	
Produktnavn	Serie OTL, 1 polt, 2 tilkoblinger 25 – 150mm ²	
Anvisning for drift	Ingen	
Vedlikehold	Produktet er vedlikeholdsfritt	
Henvisninger Vedlegg	Produktkatalog, dokumentasjon, brukerveiledning og tekniske data	
Produsent	Ouneva group www.ounevagroup.fi/en/ouneva-products/home/	
Importør	EFA Elektro AS, Postboks 593, 1411 Kolbotn, Norway Tlf. 66812400 e-mail: post@efa.no - www.efa.no	

EFA Elektro AS



Rune Hovland
Produktsjef

Product data

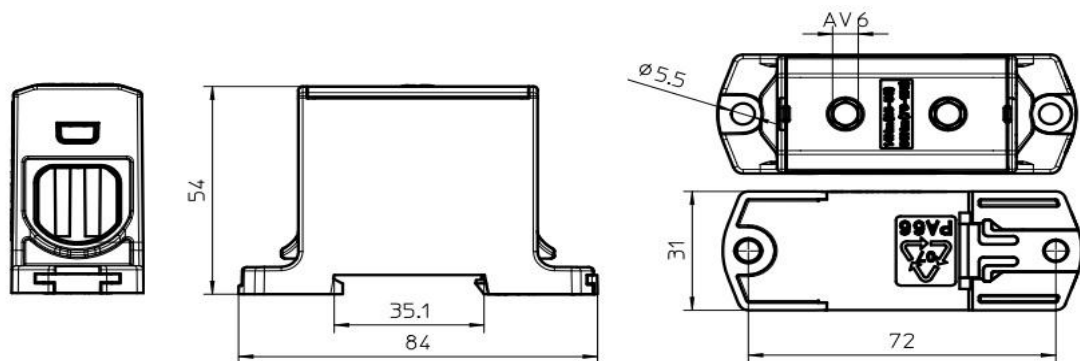
Product code	VC05-0028	STK-code	1914124	EAN-code	6410019141245
Product name	OTL-connector 1xAl/Cu 150mm ² (Grey)				
Wires	1xAl/Cu 150mm ²				

Technical data

Nominal current	Cu	320	A
	Al	290	A
Nominal voltage		1000	V
Max. Current (US)	Cu	-	A
	Al	-	A
Max. Voltage (US)		-	V
Number of pole		1	pcs
Max. Cross section		150	mm ²
Tightening torque	25-50 mm ²	14	Nm
	70-150 mm ²	30	Nm
	-	-	Nm
	-	-	Nm
Max. Operating temperature		80	°C
Weight		100	g
IP-protection		IP20	
Standards	EN 61238-1; EN60947-7-1		
Color/ Material-flame rating	Grey RAL 7035/ PA66-V0		
Mounting/ Connection	DIN-rail and screw (M5) mounting		


Description

OTL-connectors are designed to be used connecting and branching aluminium and copper conductors. The body is made of tin plated aluminium.

Drawing

Package

Package	Box	Pcs / Package	20	Weight [kg]	2,20
Length [mm]	300	Width [mm]	205	Height [mm]	100

Product data

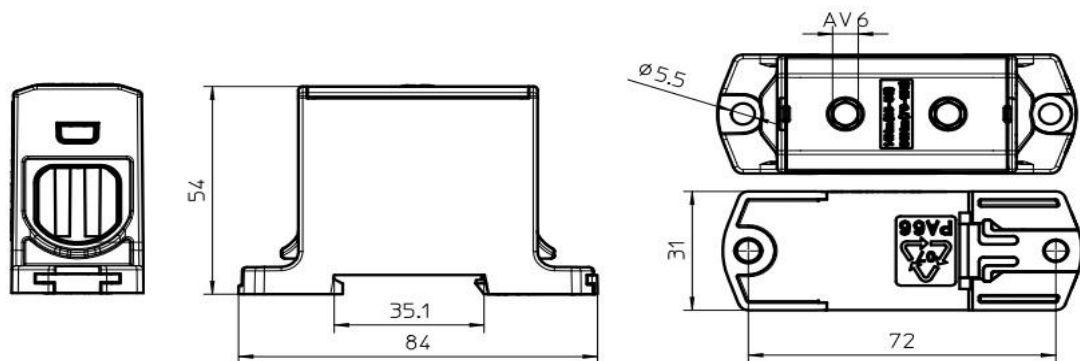
Product code	VC05-0029	STK-code	1914125	EAN-code	6410019141252
Product name	OTL-connector 1xAl/Cu 150mm ² (Blue)				
Wires	1xAl/Cu 150mm ²				

Technical data

Nominal current	Cu	320	A
	Al	290	A
Nominal voltage		1000	V
Max. Current (US)	Cu	-	A
	Al	-	A
Max. Voltage (US)		-	V
Number of pole		1	pcs
Max. Cross section		150	mm ²
Tightening torque	25-50 mm ²	14	Nm
	70-150 mm ²	30	Nm
	-	-	Nm
	-	-	Nm
Max. Operating temperature		80	°C
Weight		100	g
IP-protection		IP20	
Standards	EN 61238-1; EN60947-7-1		
Color/ Material-flame rating	Blue RAL 5015/ PA66-V0		
Mounting/ Connection	DIN-rail and screw (M5) mounting		


Description

OTL-connectors are designed to be used connecting and branching aluminium and copper conductors. The body is made of tin plated aluminium.

Drawing

Package

Package	Box	Pcs / Package	10	Weight [kg]	1,00
Length [mm]	210	Width [mm]	155	Height [mm]	105

Product data

Product code	VC05-0030	STK-code	1914126	EAN-code	6410019141269
Product name	OTL-connector 1xAl/Cu 150mm ² (Yellow/Green)				
Wires	1xAl/Cu 150mm ²				

Technical data

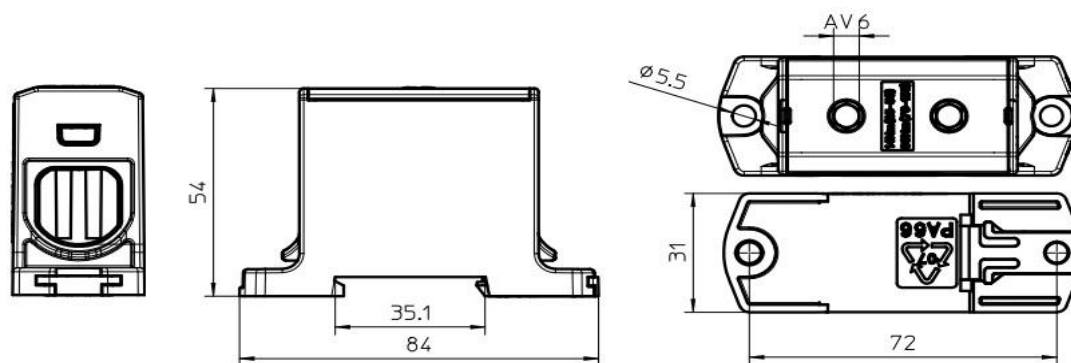
Nominal current	Cu	320	A
	Al	290	A
Nominal voltage		1000	V
Max. Current (US)	Cu	-	A
	Al	-	A
Max. Voltage (US)		-	V
Number of pole		1	pcs
Max. Cross section		150	mm ²
Tightening torque	25-50 mm ²	14	Nm
	70-150 mm ²	30	Nm
	-	-	Nm
	-	-	Nm
Max. Operating temperature		80	°C
Weight		100	g
IP-protection		IP20	



Standards	EN 61238-1; EN60947-7-1
Color/ Material-flame rating	Green RAL 6018, Yellow RAL 1016/ PA66-V0
Mounting/ Connection	DIN-rail and screw (M5) mounting

Description

OTL-connectors are designed to be used connecting and branching aluminium and copper conductors. The body is made of tin plated aluminium.

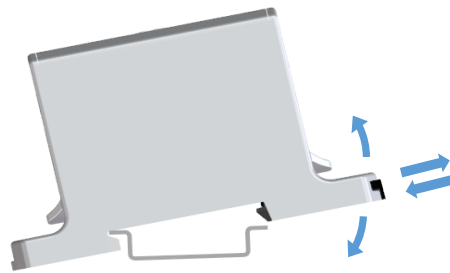
Drawing

Package

Package	Box	Pcs / Package	10	Weight [kg]	1,00
Length [mm]	210	Width [mm]	155	Height [mm]	105

Product data							
Product code	Product name	I _{n Al}	I _{n Cu}	U _n	US specific		
					I _{max Al}	I _{max Cu}	U _{max}
VC05-0028	OTL-connector 1xAl/Cu 150mm ² (Grey)	290 A	320 A	1000 V	-	-	-
VC05-0029	OTL-connector 1xAl/Cu 150mm ² (Blue)	290 A	320 A	1000 V	-	-	-
VC05-0030	OTL-connector 1xAl/Cu 150mm ² (Yellow/Green)	290 A	320 A	1000 V	-	-	-

Installation

Type	DIN-rail and screw (M5) mounting
------	---



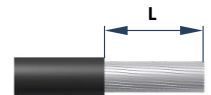
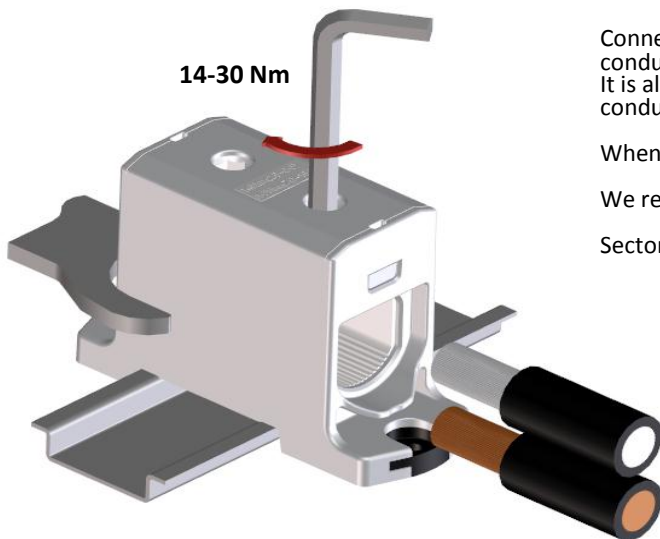
DIN-rail mounting
Set the connector to DIN-rail.
See picture. Push until "click"
Removing
Release the slider and lift connector



Screw mounting
Use max. Ø5 mm screw.
See picture .


Connection

Screw	Thread	M16	Tightening torque	25-50 mm ²	14 Nm	Stripping length L	20 mm
		SW		6	70-150 mm ²		
				-	-		
				-	-		
			Max. Wire cross section	150 mm²			


Installation


Connector can be used for both **copper- or aluminium conductors**. With the Al-conductors, it's recommended to use anti-corrosion paste. (e.g. Penetrox). It is allowed to use max. of three adjacent cross sections in one space (Copper conductors). The nominal max. cross section value must not be exceeded.

When used Al-conductors, it is allowed to use only one conductor/space.

We recommend a ferrule when using a fine-stranded conductor.

Sector shaped conductors must be pre-rounded before installation.

Each protective or neutral conductor must have their own conductor space. SFS 6000:2007 clause 810.7

Cross section and max. number of Cu- conductors / space (Al- conductors in parenthesis)

1,5 mm ²	2,5 mm ²	6 mm ²	10 mm ²	16 mm ²	25 mm ²	35 mm ²	50 mm ²	The specified max. amount of conductors refers only to industrially installed terminals.		
-	-	-	-	-	3 (1)	3 (1)	3 (1)			
			70 mm ²	95 mm ²	120 mm ²	150 mm ²	185 mm ²	240 mm ²	300 mm ²	400 mm ²
			2 (1)	1 (1)	1 (1)	1 (1)	-	-	-	-