

FDV – DOKUMENTASJON		Nr.: 066
		Rev.:
		Dato: 5.1.2016
Produktspesifikasjon	Tilkoblingsklemmer	
Produktnavn	Serie OTL, 1 polt, 4 tilkoblinger 6 – 95mm ²	
Anvisning for drift	Ingen	
Vedlikehold	Produktet er vedlikeholdsfritt	
Henvisninger Vedlegg	Produktkatalog, dokumentasjon, brukerveiledning og tekniske data	
Produsent	Ouneva group www.ounevagroup.fi/en/ouneva-products/home/	
Importør	EFA Elektro AS, Postboks 593, 1411 Kolbotn, Norway Tlf. 66812400 e-mail: post@efa.no - www.efa.no	

EFA Elektro AS



Rune Hovland
Produktsjef

Product data

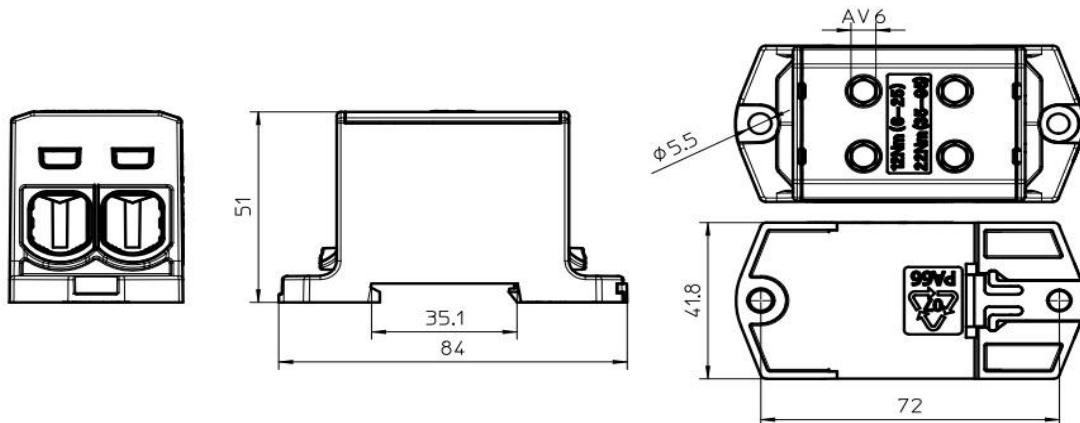
Product code	VC05-0042	STK-code	1914115	EAN-code	6410019141153
Product name	OTL-connector 2xAl/Cu 6-95mm ² (Grey)				
Wires	2xAl/Cu 6-95mm ²				

Technical data

Nominal current	Cu	490	A
	Al	440	A
Nominal voltage		1000	V
Max. Current (US)	Cu	-	A
	Al	-	A
Max. Voltage (US)		-	V
Number of pole		1	pcs
Max. Cross section		95	mm ²
Tightening torque	6-25 mm ²	12	Nm
	35-95 mm ²	22	Nm
	-	-	Nm
	-	-	Nm
Max. Operating temperature		80	°C
Weight		125	g
IP-protection		IP20	
Standards	EN 61238-1; EN60947-7-1		
Color/ Material	Grey RAL 7035/ PA66-V0		
Mounting/ Connection	DIN-rail and screw (M5) mounting		


Description

OTL-connectors are designed to be used connecting and branching aluminium and copper conductors. The body is made of tin plated aluminium.

Drawing

Package

Package	Box	Pcs / Package	30	Weight [kg]	3,55
Length [mm]	300	Width [mm]	205	Height [mm]	100

Product data

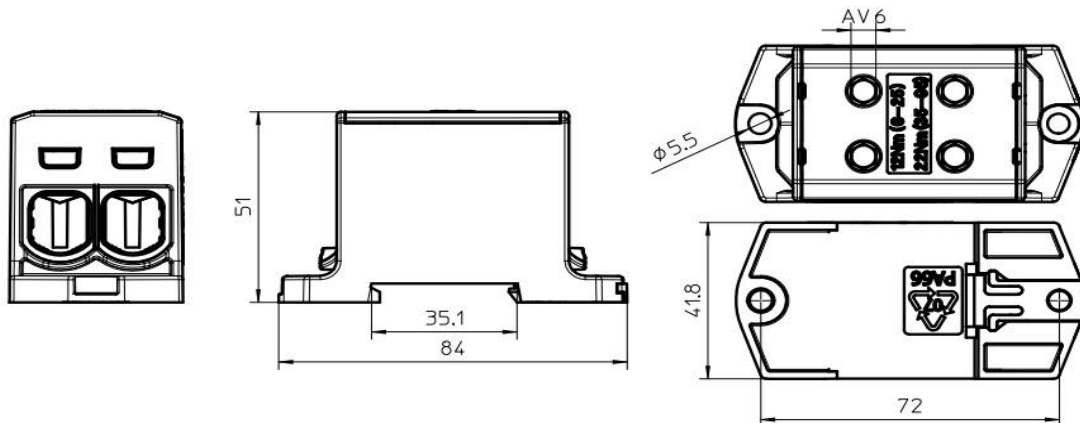
Product code	VC05-0043	STK-code	1914116	EAN-code	6410019141160
Product name	OTL-connector 2xAl/Cu 6-95mm ² (Blue)				
Wires	2xAl/Cu 6-95mm ²				

Technical data

Nominal current	Cu	490	A
	Al	440	A
Nominal voltage		1000	V
Max. Current (US)	Cu	-	A
	Al	-	A
Max. Voltage (US)		-	V
Number of pole		1	pcs
Max. Cross section		95	mm ²
Tightening torque	6-25 mm ²	12	Nm
	35-95 mm ²	22	Nm
	-	-	Nm
	-	-	Nm
Max. Operating temperature		80	°C
Weight		125	g
IP-protection		IP20	
Standards	EN 61238-1; EN60947-7-1		
Color/ Material	Blue RAL 5015/ PA66-V0		
Mounting/ Connection	DIN-rail and screw (M5) mounting		


Description

OTL-connectors are designed to be used connecting and branching aluminium and copper conductors. The body is made of tin plated aluminium.

Drawing

Package

Package	Box	Pcs / Package	15	Weight [kg]	1,80
Length [mm]	210	Width [mm]	155	Height [mm]	105

Product data

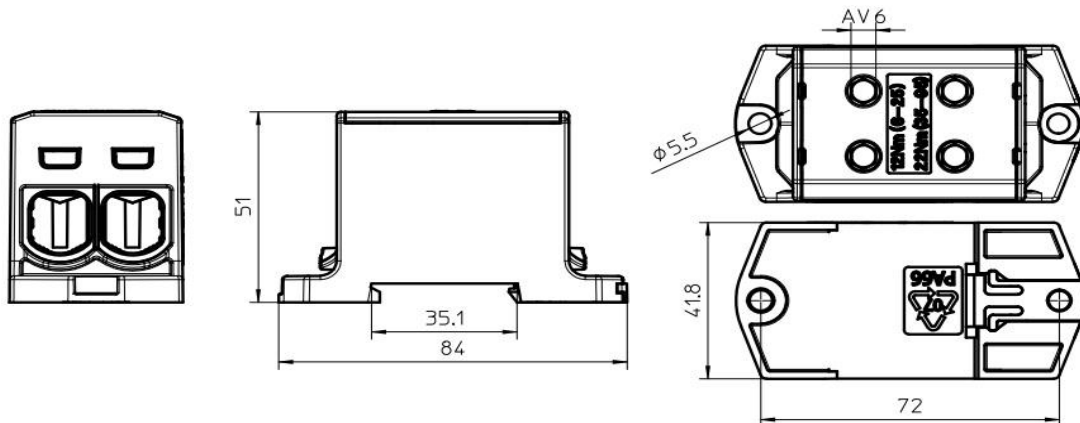
Product code	VC05-0044	STK-code	1914117	EAN-code	6410019141177
Product name	OTL-connector 2xAl/Cu 6-95mm² (Yellow/Green)				
Wires	2xAl/Cu 6-95mm²				

Technical data

Nominal current	Cu	490	A
	Al	440	A
Nominal voltage		1000	V
Max. Current (US)	Cu	-	A
	Al	-	A
Max. Voltage (US)		-	V
Number of pole		1	pcs
Max. Cross section		95	mm ²
Tightening torque	6-25 mm ²	12	Nm
	35-95 mm ²	22	Nm
		-	Nm
		-	Nm
Max. Operating temperature		80	°C
Weight		125	g
IP-protection		IP20	
Standards	EN 61238-1; EN60947-7-1		
Color/ Material	Green RAL 6018, Yellow RAL 1016/ PA66-V0		
Mounting/ Connection	DIN-rail and screw (M5) mounting		


Description

OTL-connectors are designed to be used connecting and branching aluminium and copper conductors. The body is made of tin plated aluminium.

Drawing

Package

Package	Box	Pcs / Package	15	Weight [kg]	1,80
Length [mm]	210	Width [mm]	155	Height [mm]	105

Product data							
Product code	Product name	I _{n Al}	I _{n Cu}	U _n	US specific		
					I _{max Al}	I _{max Cu}	U _{max}
VC05-0042	OTL-connector 2xAl/Cu 6-95mm ² (Grey)	440 A	490 A	1000 V	-	-	-
VC05-0043	OTL-connector 2xAl/Cu 6-95mm ² (Blue)	440 A	490 A	1000 V	-	-	-
VC05-0044	OTL-connector 2xAl/Cu 6-95mm ² (Yellow/Green)	440 A	490 A	1000 V	-	-	-
VC05-0148	OTL-connector 2xAl/Cu 6-95mm ² (Red)	440 A	490 A	1000 V	-	-	-
VC05-0149	OTL-connector 2xAl/Cu 6-95mm ² (Black)	440 A	490 A	1000 V	-	-	-

Installation

Type **DIN-rail and screw (M5) mounting**



DIN-rail mounting

Set the connector to DIN-rail. See picture. Push until "click"

Removing

Release the slider and lift connector

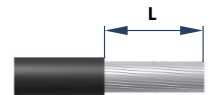


Screw mounting

Use max. Ø5 mm screw. See picture .



Connection							
Screw	Thread	M14	Tightening torque	6-25 mm ²	12 Nm	Stripping length L	20 mm
		SW		35-95 mm ²	22 Nm		
				-	-		
				-	-		
			Max. Wire cross section	95 mm²			



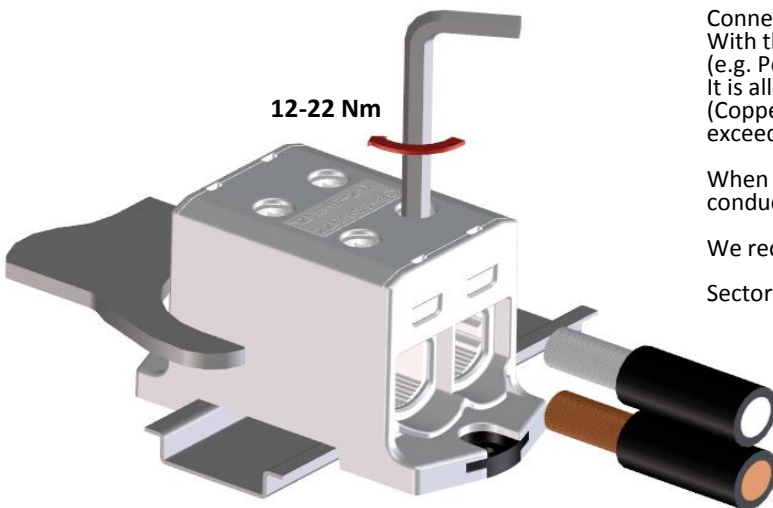
Installation

Connector can be used for both **copper- or aluminium conductors**. With the Al-conductors, it's recommended to use anti-corrosion paste. (e.g. Penetrox). It is allowed to use max. of three adjacent cross sections in one space (Copper conductors). The nominal max. cross section value must not be exceeded.

When used Al-conductors, it is allowed to use only one conductor/space.

We recommend a ferrule when using a fine-stranded conductor.

Sector shaped conductors must be pre-rounded before installation.



Each protective or neutral conductor must have their own conductor space. SFS 6000:2007 clause 810.7

Cross section and max. number of Cu- conductors / space (Al- conductors in parenthesis)										
1,5 mm ²	2,5 mm ²	6 mm ²	10 mm ²	16 mm ²	25 mm ²	35 mm ²	50 mm ²	The specified max. amount of conductors refers only to industrially installed terminals.		
-	-	3 (1)	3 (1)	3 (1)	3 (1)	2 (1)	1 (1)			
			70 mm ²	95 mm ²	120 mm ²	150 mm ²	185 mm ²	240 mm ²	300 mm ²	400 mm ²
			1 (1)	1 (1)	-	-	-	-	-	-