

<b>FDV – DOKUMENTASJON</b>		<b>Nr.: 061</b>
		<b>Rev.:</b>
		<b>Dato: 5.1.2016</b>
<b>Produktspesifikasjon</b>	Tilkoblingsklemmer	
<b>Produktnavn</b>	Serie OTL, 1 polt, 2 tilkoblinger 1,5 – 50mm <sup>2</sup>	
<b>Anvisning for drift</b>	Ingen	
<b>Vedlikehold</b>	Produktet er vedlikeholdsfritt	
<b>Henvisninger Vedlegg</b>	Produktkatalog, dokumentasjon, brukerveiledning og tekniske data	
<b>Produsent</b>	Ouneva group <a href="http://www.ounevagroup.fi/en/ouneva-products/home/">www.ounevagroup.fi/en/ouneva-products/home/</a>	
<b>Importør</b>	<b>EFA Elektro AS,</b> Postboks 593, 1411 Kolbotn, Norway Tlf. 66812400 e-mail: <a href="mailto:post@efa.no">post@efa.no</a> - <a href="http://www.efa.no">www.efa.no</a>	

**EFA Elektro AS**



**Rune Hovland**  
Produktsjef

**Product data**

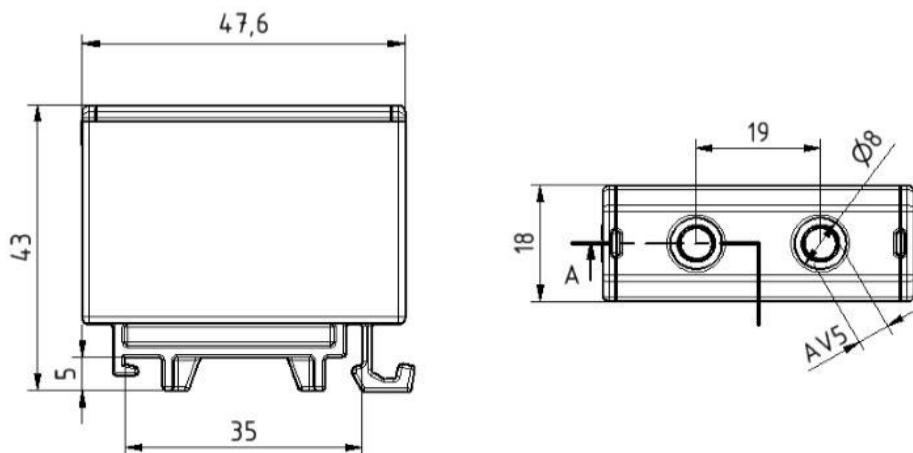
Product code	<b>VC05-0013</b>	STK-code	<b>1914103</b>	EAN-code	<b>6410019141030</b>
Product name	OTL-connector 1xAl/Cu 1,5-50mm <sup>2</sup> (Grey)				
Wires	1xAl/Cu 1,5-50mm <sup>2</sup>				

**Technical data**

Nominal current	Cu	<b>160</b>	A
	Al	<b>145</b>	A
Nominal voltage		<b>1000</b>	V
Max. Current (US)	Cu	<b>150</b>	A
	Al	<b>120</b>	A
Max. Voltage (US)		<b>600</b>	V
Number of pole		<b>1</b>	pcs
Max. Cross section		<b>50</b>	mm <sup>2</sup>
Tightening torque	1,5-2,5 mm <sup>2</sup>	<b>1,5</b>	Nm
	4-10 mm <sup>2</sup>	<b>5</b>	Nm
	16-50 mm <sup>2</sup>	<b>10</b>	Nm
	-	-	Nm
Max. Operating temperature		<b>80</b>	°C
Weight		<b>30</b>	g
IP-protection		<b>IP20</b>	
Standards	<b>EN 61238-1; EN60947-7-1; UL1059</b>		
Color/ Material-flame rating	<b>Grey RAL 7035/ PA66-V0</b>		
Mounting/ Connection	<b>DIN-rail mounting</b>		


**Description**

OTL-connectors are designed to be used connecting and branching aluminium and copper conductors. The body is made of tin plated aluminium.

**Drawing**

**Package**

Package	<b>Box</b>	Pcs / Package	<b>50</b>	Weight [kg]	<b>1,60</b>
Length [mm]	<b>210</b>	Width [mm]	<b>155</b>	Height [mm]	<b>105</b>

**Product data**

Product code	<b>VC05-0046</b>	STK-code	<b>1914104</b>	EAN-code	<b>6410019141047</b>
Product name	OTL-connector 1xAl/Cu 1,5-50mm <sup>2</sup> (Blue)				
Wires	1xAl/Cu 1,5-50mm <sup>2</sup>				

**Technical data**

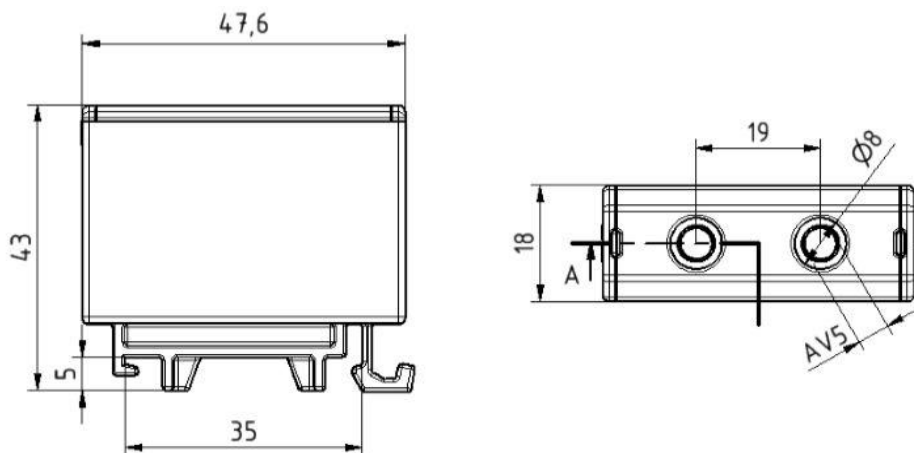
Nominal current	Cu	<b>160</b>	A
	Al	<b>145</b>	A
Nominal voltage		<b>1000</b>	V
Max. Current (US)	Cu	<b>150</b>	A
	Al	<b>120</b>	A
Max. Voltage (US)		<b>600</b>	V
Number of pole		<b>1</b>	pcs
Max. Cross section		<b>50</b>	mm <sup>2</sup>
Tightening torque	1,5-2,5 mm <sup>2</sup>	<b>1,5</b>	Nm
	4-10 mm <sup>2</sup>	<b>5</b>	Nm
	16-50 mm <sup>2</sup>	<b>10</b>	Nm
	-	-	Nm
Max. Operating temperature		<b>80</b>	°C
Weight		<b>30</b>	g
IP-protection		<b>IP20</b>	
Standards	<b>EN 61238-1; EN60947-7-1; UL1059</b>		
Color/ Material-flame rating	<b>Blue RAL 5015/ PA66-V0</b>		
Mounting/ Connection	<b>DIN-rail mounting</b>		



**Description**

OTL-connectors are designed to be used connecting and branching aluminium and copper conductors. The body is made of tin plated aluminium.

**Drawing**



**Package**

Package	<b>Box</b>	Pcs / Package	<b>50</b>	Weight [kg]	<b>1,60</b>
Length [mm]	<b>210</b>	Width [mm]	<b>155</b>	Height [mm]	<b>105</b>

**Product data**

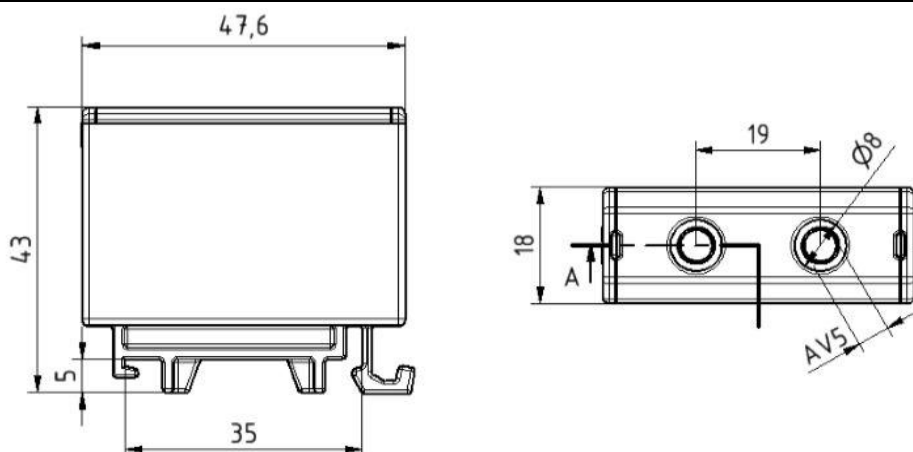
Product code	<b>VC05-0047</b>	STK-code	<b>1914105</b>	EAN-code	<b>6410019141054</b>
Product name	OTL-connector 1xAl/Cu 1,5-50mm <sup>2</sup> (Yellow/Green)				
Wires	1xAl/Cu 1,5-50mm <sup>2</sup>				

**Technical data**

Nominal current	Cu	<b>160</b>	A
	Al	<b>145</b>	A
Nominal voltage		<b>1000</b>	V
Max. Current (US)	Cu	-	A
	Al	-	A
Max. Voltage (US)		-	V
Number of pole		<b>1</b>	pcs
Max. Cross section		<b>50</b>	mm <sup>2</sup>
Tightening torque	1,5-2,5 mm <sup>2</sup>	<b>1,5</b>	Nm
	4-10 mm <sup>2</sup>	<b>5</b>	Nm
	16-50 mm <sup>2</sup>	<b>10</b>	Nm
	-	-	Nm
Max. Operating temperature		<b>80</b>	°C
Weight		<b>30</b>	g
IP-protection		<b>IP20</b>	
Standards	<b>EN 61238-1; EN60947-7-1</b>		
Color/ Material-flame rating	<b>Green RAL 6018, Yellow RAL 1016/ PA66-V0</b>		
Mounting/ Connection	<b>DIN-rail mounting</b>		


**Description**

OTL-connectors are designed to be used connecting and branching aluminium and copper conductors. The body is made of tin plated aluminium.

**Drawing**

**Package**

Package	<b>Box</b>	Pcs / Package	<b>30</b>	Weight [kg]	<b>1,00</b>
Length [mm]	<b>210</b>	Width [mm]	<b>155</b>	Height [mm]	<b>105</b>

