



PUSH WIRE® connector for junction boxes; 8-conductor terminal block; transparent housing; dark gray cover

Item No.: 773-108



PUSH WIRE® connector for junction boxes; 8-conductor terminal block; transparent housing; dark gray cover

Marking

RoHS ✓
Compliant

Business data

Supplier	WAGO
Item no.	773-108
GTIN / EAN	4044918397735
Content	1
Order amount	50
Customer item number	

Notes

Safety information 2: When using conductors of the same diameter, 0.75 mm² / 18 AWG cross-section is also possible.

Technical data

Miscellaneous

Total number of connection points	8
Total number of potentials	1
Color	transparent
Pollution degree (1)	2

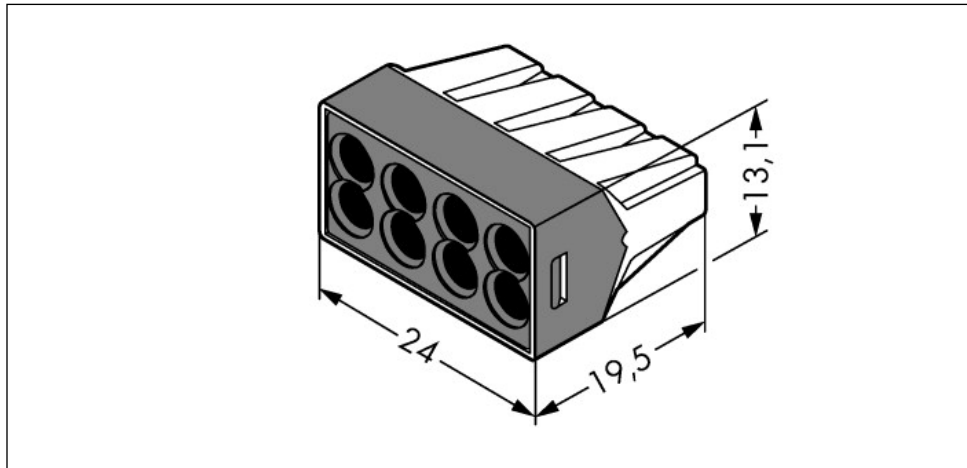
Printview: PUSH WIRE® connector for junction boxes; 8-conductor terminal block; transparent housing; dark gray cover - Item No.: 773-108

Technical data	
<i>Rated voltage (II / 2) [V]</i>	<i>400 [V]</i>
<i>Rated impulse voltage (II / 2) [kV]</i>	<i>4 [kV]</i>
<i>Rated current [A]</i>	<i>24 [A]</i>
<i>Connection technology</i>	<i>PUSH WIRE®</i>
<i>Number of connection points connector</i>	<i>8</i>
<i>Actuation type</i>	<i>Push-in</i>
<i>Connectable conductor materials</i>	<i>Copper</i>
<i>Solid conductor</i>	<i>0.75 ... 2.5 mm² / 18 ... 12 AWG</i>
<i>Stranded conductor</i>	<i>1.5 ... 2.5 mm² / 16 ... 12 AWG</i>
<i>Strip length</i>	<i>12 mm / 0.47 Inch</i>
<i>Type of wiring</i>	<i>Side-entry wiring</i>
<i>Fire load [MJ]</i>	<i>0.098 [MJ]</i>
<i>Weight [g]</i>	<i>4.605 [g]</i>
<i>Width</i>	<i>24 mm / 0.945 Inch</i>
<i>Height</i>	<i>13.1 mm / 0.516 Inch</i>
<i>Depth</i>	<i>19.5 mm / 0.768 Inch</i>
<i>Safety information 1</i>	<i>In grounded power lines</i>

Images & drawings



Printview: PUSH WIRE® connector for junction boxes; 8-conductor terminal block; transparent housing; dark gray cover - Item No.: 773-108



Address

WAGO Kontakttechnik GmbH & Co. KG

Hansastr. 27

32423 Minden

Telefon: 0571/887-0

Fax: 0571/887-169

<http://www.wago.com>

© WAGO Kontakttechnik GmbH & Co. KG

Technische Änderungen und Irrtümer vorbehalten.