



COMPACT Splicing Connectors; 2-conductor connector; with operating levers; Max.ambient operating temp. 85 °C

Item No.: 221-612



COMPACT Splicing Connectors; 2-conductor connector; with operating levers; Max.ambient operating temp. 85 °C

Marking

RoHS ✓
Compliant

Business data

| | |
|----------------------|---------------|
| Supplier | WAGO |
| Item no. | 221-612 |
| GTIN / EAN | 4055143704168 |
| Content | 1 |
| Order amount | 50 |
| Customer item number | |

Notes

Technical data

Miscellaneous

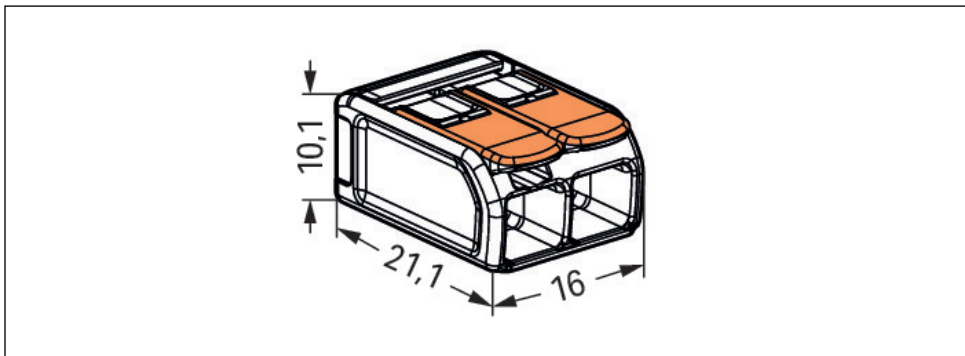
| | |
|-------------------------------------|---|
| Safety information 1 | In grounded power lines |
| Ratings per | EN 60664 |
| Rated voltage (II / 2) [V] | 450 [V] |
| Rated impulse voltage (II / 2) [kV] | 4 [kV] |
| Rated current [A] | 41 [A] |
| Legend (ratings) | (II / 2) Overvoltage category II / Pollution degree 2 |

| Technical data | |
|--|---|
| <i>Connection technology</i> | <i>CAGE CLAMP®</i> |
| <i>Actuation type</i> | <i>Lever</i> |
| <i>Connectable conductor materials</i> | <i>Copper</i> |
| <i>Nominal cross section</i> | <i>6 mm²</i> |
| <i>Solid conductor</i> | <i>0.5 ... 6 mm² / 20 ... 10 AWG</i> |
| <i>Stranded conductor</i> | <i>0.5 ... 6 mm² / 20 ... 10 AWG</i> |
| <i>Fine-stranded conductor</i> | <i>0.5 ... 6 mm² / 20 ... 10 AWG</i> |
| <i>Strip length</i> | <i>12 ... 14 mm / 0.47 ... 0.55 Inch</i> |
| <i>Total number of connection points</i> | <i>2</i> |
| <i>Total number of potentials</i> | <i>1</i> |
| <i>Type of wiring</i> | <i>Side-entry wiring</i> |
| <i>Width</i> | <i>16 mm / 0.63 Inch</i> |
| <i>Height</i> | <i>10.1 mm / 0.398 Inch</i> |
| <i>Depth</i> | <i>21.1 mm / 0.831 Inch</i> |
| <i>Color</i> | <i>transparent</i> |
| <i>Flammability class per UL94</i> | <i>V2</i> |
| <i>Weight [g]</i> | <i>2.55 [g]</i> |
| <i>Surrounding air temperature (operation)</i> | <i>85 °C</i> |
| <i>Continuous operating temperature up to [°C]</i> | <i>105 [°C]</i> |
| <i>T-Marking per EN 60998</i> | <i>T85</i> |
| <i>Main product function</i> | <i>Lever terminal block</i> |
| <i>Product type</i> | <i>Splicing connectors</i> |

Images & drawings









Address

WAGO Kontakttechnik GmbH & Co. KG

Hansastr. 27

32423 Minden

Telefon: 0571/887-0

Fax: 0571/887-169

<http://www.wago.com>

© WAGO Kontakttechnik GmbH & Co. KG

Technische Änderungen und Irrtümer vorbehalten.