

GELBOX 25

POWERGEL-FILLED CABLE JOINTS FOR MULTI-CORE POLYMERIC CABLES 0.6/1 kV INCLUDING MECHANICAL CONNECTOR BLOCK

KEY FEATURES

- Quick, easy and clean installation
- Reliable protection against humidity and water
- Suitable for outdoor and direct-buried applications
- No insulation cutback insulation piercing technology
- One piece connector block with shear bolt technology
- Qualified to european joint standard EN 50393
- Halogen-free and UV-resistant
- Environment-friendly, not subject to labeling requirements

TE Connectivity's (TE) GelBox 25 joint offer protection, insulation and high quality sealing for fast, easy and safe cable connections for multi-core cables ranging from 6 mm² up to 25 mm² (35 mm² Al/re). Size transitions or transitions from copper to aluminium are also possible. It comes with mechanical shear bolt insulation piercing connector blocks and is suitable for underground, direct buried and overhead applications.

The GelBox 25 enclosure, with its revolutionary PowerGel sealing gel, covers and seals the joint quickly and easily, saving both time and effort. PowerGel sealing gel is rated to 90°C continuous temperature and is halogen-free with an unlimited shelf life.

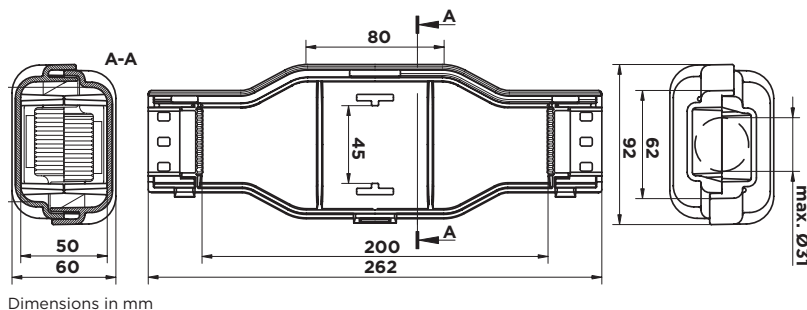
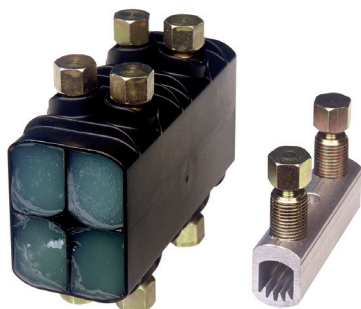
Closing the rugged GelBox closure is literally a snap. No special tools needed, no rip cords to break and no trimming, mixing, pouring, or heating is required. The GelBox can immediately be put into service.

No insulation cutback required due to insulation piercing technology (IPC). Shear bolts always guarantee the optimum contact force. Sealed core entries take care of possible water in between conductor strands. Gelbox 25 also has an unlimited shelf life.

Customers can count on consistent, high quality products, driven by TE's proven innovation and backed by our extraordinary customer support.



Joints are tested according to CENELEC EN 50393.



PRODUCT SELECTION INFORMATION		
Description	Application Range [mm ²]	Part Number
GelBox 25	4 x 6 - 25 Cu/Al rm/re 4 x 6 - 35 Al/re	556670-000
GelBox 25-5	5 x 6 - 16	E72165-000
GelBox 25-5/25	5 x 10 - 25	CA3220-000

te.com/energy

©2014 TE Connectivity Ltd. family of companies. All Rights Reserved. EPP-2343-10/14

TE Connectivity and TE connectivity (logo) are trademarks. Other logos, product and/or company names might be trademarks of their respective owners. While TE has made every reasonable effort to ensure the accuracy of the information in this brochure, TE does not guarantee that it is error-free, nor does TE make any other representation, warranty or guarantee that the information is accurate, correct, reliable or current. TE reserves the right to make any adjustments to the information contained herein at any time without notice. TE expressly disclaims all implied warranties regarding the information contained herein, including, but not limited to, any implied warranties of merchantability or fitness for a particular purpose. The dimensions in this catalog are for reference purposes only and are subject to change without notice. Specifications are subject to change without notice. Consult TE for the latest dimensions and design specifications.

FOR MORE INFORMATION: TE Technical Support Centers

- USA: + 1 800 327 6996
- France: + 33 380 583 200
- UK: + 44 0870 870 7500
- Germany: + 49 896 089 903
- Spain: + 34 916 630 400
- Benelux: + 32 16 351 731
- Canada: + 1 (905) 475-6222
- Mexico: + 52 (0) 55-1106-0800
- Latin/S. America: + 54 (0) 11-4733-2200
- China: + 86 (0) 400-820-6015