

# Smarthub

CUBE-1V0-EU

Z-Wave and EnOcean based home automation central gateway. Connected to your home network and running the Futurehome software stack, it provides communication between supported smart home products and the Futurehome cloud and mobile applications.

Setup Instructions: [startguide.futurehome.no](http://startguide.futurehome.no)List of supported devices: [support.futurehome.no](http://support.futurehome.no)

Elnummer: 4544500

## Specifications

### Electrical/ Hardware

**Rated voltage:** 5V DC**Rated current:** 2,5A**Power Consumption:** 4,3W**DC connector:** 5V DC, 2,5A, Round Jack, 2.1x5.5x10 mm Inside Positive**External power supply:** AC 230V 50/60Hz In, 5V 2.5A out**Processor:** ARM 11, 700MHz**Storage:** 4GB eMMC**Memory:** 512MB**OS:** Futurehome CubeOS 3

### Mechanical

**Weight:** 152g**Material:** ABS Plastic**Dimension:** (LxWxH) 105mm x 105mm x 32mm**Color:** RAL 9003 Signal White **Finish:** VDI24

### Operating Conditions

**Protection grade:** IP20**Moisture resistance:** IPX0**Protection class:** III**Operating temperature:** 0-35°C**Operation mode:** Continuous

## Communication Protocols

**EnOcean-Dolphin:** 2-way, 868MHz      **Z-Wave:** 2-way, 868MHz  
**802.11n:** (WiFi), Future-ready to support WiFi in later software update.

## Connections

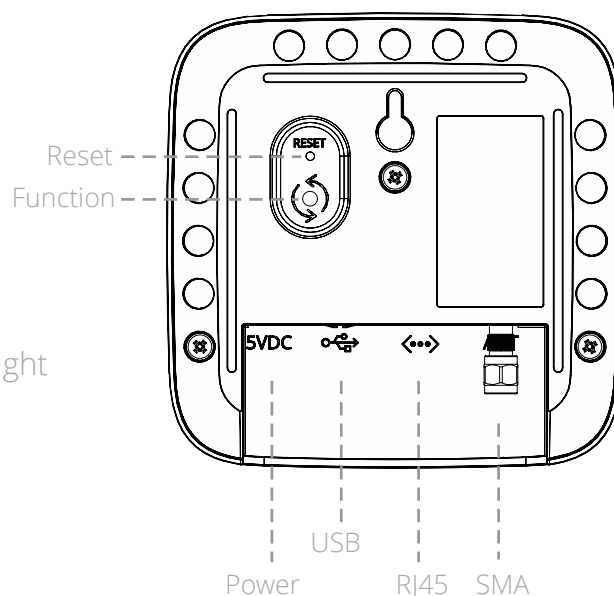
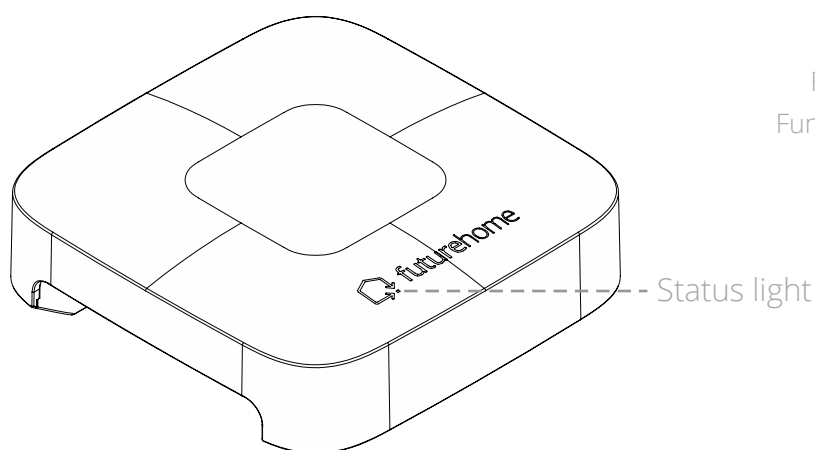
**Power:** 5V DC, 2,5A, Round Jack, 2.1x5.5x10 mm Inside Positive  
**USB:** 2x USB 2.0 - For Futurehome compatible expansions only.  
**RJ45:** 10/100Mb Ethernet.  
**SMA:** Antenna. Not in use. Groundwork for future expansions.

## Control and signals

**Reset:** Soft reset. (*Hard reset can only be achieved from the Futurehome app*).

**Function:** For Futurehome service personnel debugging purposes only.

**Status light:** Purple: *Boot*. White: *Normal operation*. Green: *Self-check passed*. Red: *Self-check failed*.



## Certifications

The Futurehome Smarthub CUBE-1V0-EU complies with the following European Directives: **DIRECTIVE 2011/65/EU (the RoHS Directive) DIRECTIVE 1999/5/EC (the R&TTE Directive)**

**DIRECTIVE 2011/65/EU (the RoHS Directive) DIRECTIVE 1999/5/EC (the R&TTE Directive)**

Compliance is achieved using the following European standards: **EN 62311:2008**

**EN 301 489-1 V1.9.2 (2011-09)**

**EN 301 489-3 V1.6.1 (2013-08)**

**EN 301 489-17 V2.2.1 (2012-09)**

**EN 300 328 V1.9.1 (2015-02)**

**EN 300 220-1 V2.4.1 (2012-05)**

**EN 200 220-2 V2.4.1 (2012-05)**

**EN 60950-1: 2006 + A11: 2009 + A1: 2010 + A12: 2011 + A2: 2013**

## Safety



### Important security instructions:

- Do not install the Smarthub close to or inside containers of metal or sources of electromagnetic interference.
- Do not install the Smarthub close to heat sources like ovens, radiators or other possible sources of interference e.g audio amplifiers.
- Only connect approved Futurehome equipment to the Smarthub.
- The Smarthub is only to be used inside.



### Risk of electric shock!

- Changes or modifications to this product may lead to malfunction and must not happen!
- Only use the included power supply!
  - Do not use this product near water. It must not be exposed to dripping or splashing water or other liquids.
  - Clean with a dry cloth only.
  - Service should only be conducted by qualified personnel.



### Disconnect the network and power cable if any of the following occurs:

- Power cable or adabter is damaged.
- You wish to clean the Smarthub.
- The Smarthub is exposed to rain, water or moist of any kind.

### Recycling:

This product consists of materials that can be recycled. Please dispose of properly.

## Further information

For further references on useage of the Futurehome system and it's apps and services, product catalogue, list of supported devices, API access and related, please see [support.futurehome.no](mailto:support.futurehome.no). You can always reach us on [support@futurehome.no](mailto:support@futurehome.no).

## Disclaimer and legal notice

The content of this document is still under internal review and subject to formal approval, which may result in modifications or additions. Futurehome does not give any representations or warranties, expressed or implied, as to the accuracy or completeness of the information.

**Information** — Futurehome reserves the right to make changes to information published in this document, including without limitation specifications and product descriptions, at any time and without notice. This document supersedes and replaces all information supplied prior to the publication hereof.

**Suitability for use** — Futurehome products are not designed, authorized or warranted to be suitable for use in medical, military, automotive, aircraft, space or life support equipment, nor in applications where failure or malfunction of a Future Home product can reasonably be expected to result in personal injury, death or severe property or environmental damage. Futurehome accepts no liability for inclusion and/or use of Futurehome products in such equipment or applications and therefore such inclusion and/or use is at the customer's own risk.

**Applications** — Customers are responsible for the design and operation of their applications, products and systems using Future Home products, and Futurehome accepts no liability for any assistance with applications or customer product- or system design. Futurehome does not accept any liability related to any default, damage, cost or problem that is based on any weakness or default in the customer's applications, products or systems or the application or use by customer's third party customers.

**Limited warranty and liability** — In no event Futurehome shall be liable for any indirect, incidental, punitive, special or consequential damages (including – without limitation – lost profits, lost savings, business interruption, cost related to the removal or replacement of any products or rework charges) whether or not such damages are based on tort (including negligence), warranty, breach of contract or any other legal theory. Notwithstanding any damages that customer might incur for any reason whatsoever, permundo's aggregate and cumulative liability towards customer for the products described herein shall be limited in accordance with the Terms and conditions of commercial sale of Futurehome.

**Appliances** — Appliances that are described herein are for illustrative purposes only. Futurehome makes no representation or warranty that such appliances can be controlled and measured as specified without further testing or modification, with the exception of appliances that are explicitly referenced by brand name and type number and listed as approved and tested for compliance by Futurehome.

No offer to sell or license — Nothing in this document may be interpreted or construed as an offer to sell products that is open for acceptance or the grant, conveyance or implication of any license under any copyrights, patents or other industrial or intellectual property rights.

All referenced brands, product names, service names and trademarks are the property of their respective owners. All rights reserved. Copyright Futurehome AS 2016.